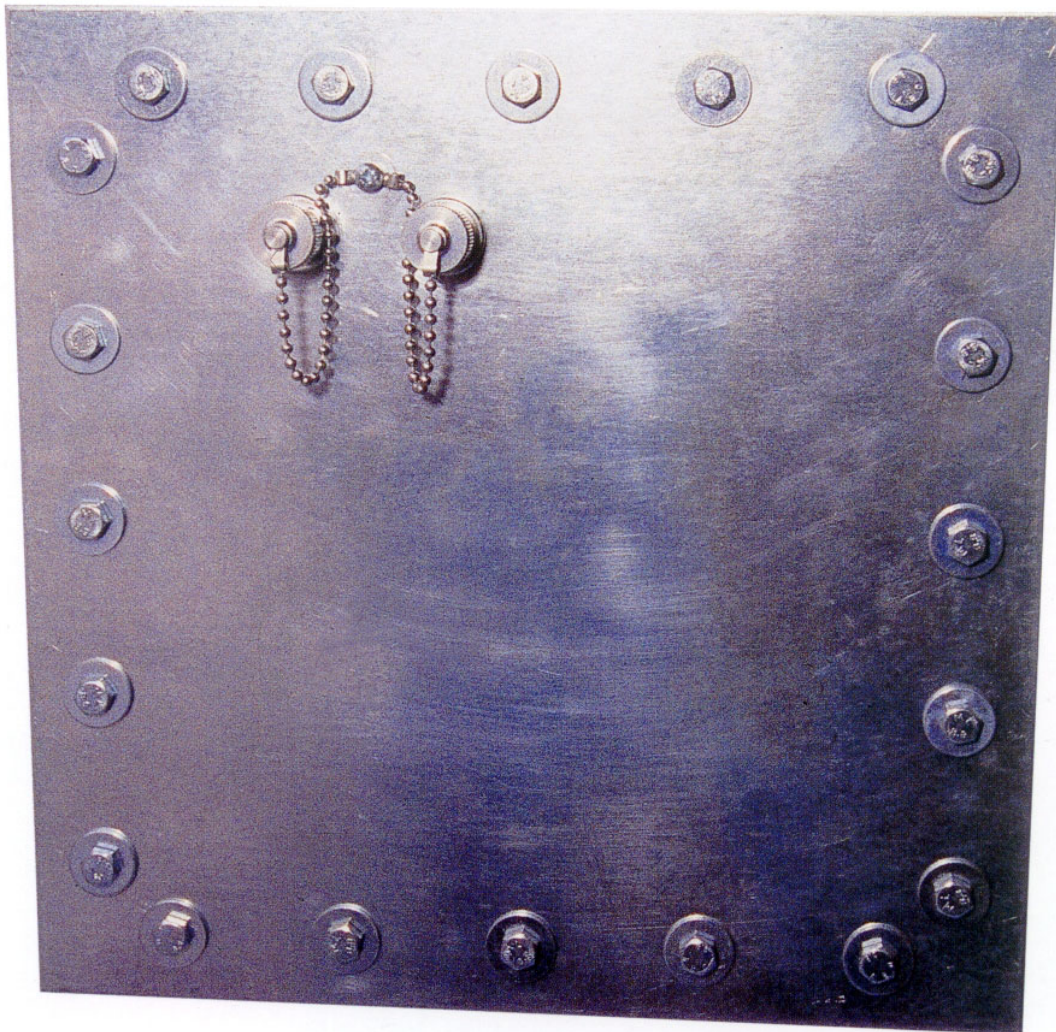


Shielded Rooms **Series 100 FTP-RG Feed Through Panels**

Euroshield FTP-RG feed through panels are specially designed for different kind of connector feed throughs and they are easily detachable / re-attachable. The connectors needed for example in a specific measurement are installed on a separate panel, which is then assembled over an opening in the wall element.

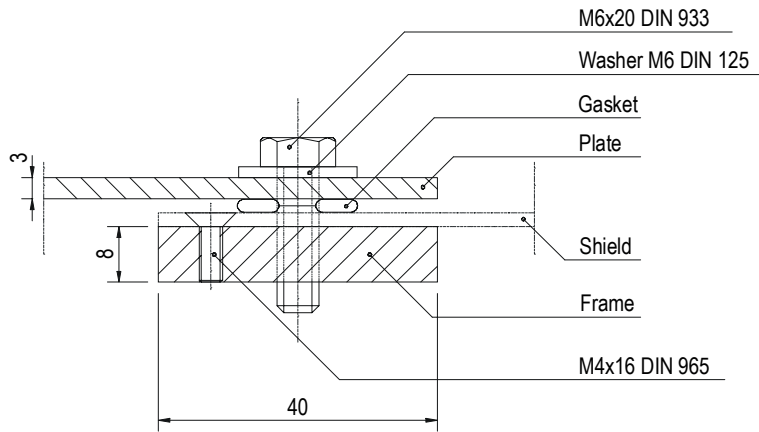
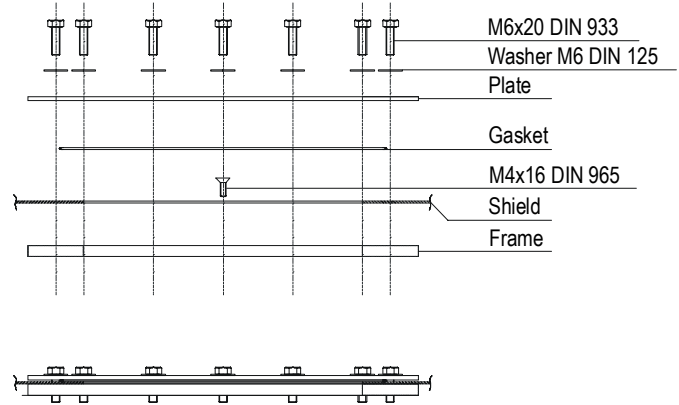
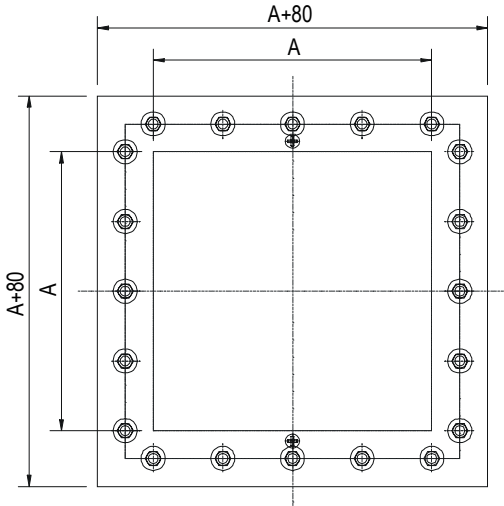
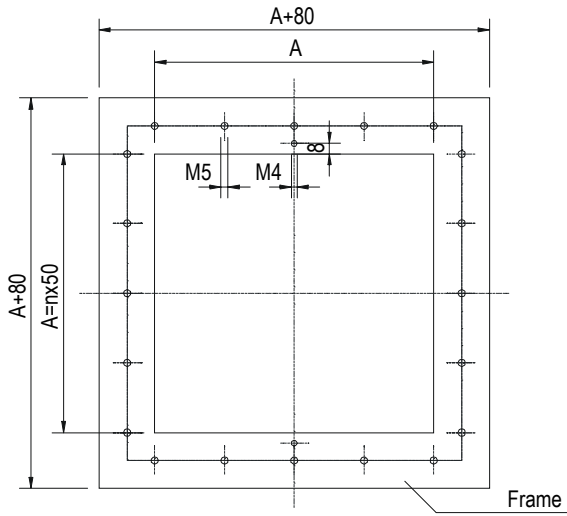
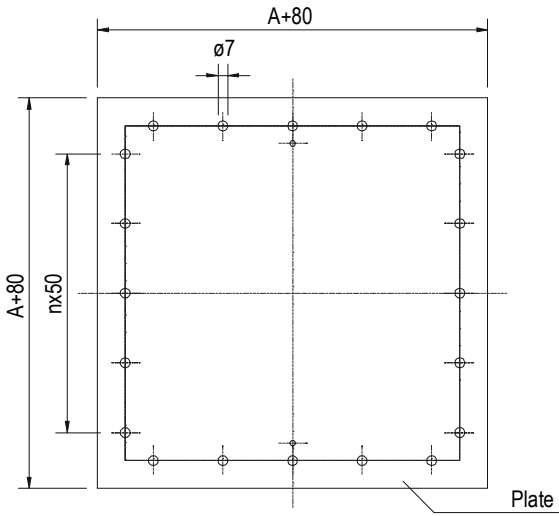
The panel is fastened with bolts to a collar frame inside the room and fitted with a gasket. The collar frame is equipped with threads, so no nuts are needed. The collar frame is also fastened to the wall element with bolts.



The material of the panel is of 3 mm galvanized steel and the collar frame is of 8 mm galvanized steel with threaded holes. The external dimensions of the complete panel are: clear opening dimensions + 80 mm.

OPTIONS:

- spare plate available on request
- connectors and other feed throughs preinstalled at the factory



STANDARD DIMENSIONS

A	B
200	200
300	300
400	400
500	500
600	600

ETS-Lindgren reserves the right to any change in this document without any further notice - 01/02

ETS-Lindgren Corporate Headquarters
1301 Arrow Point Drive
Cedar Park, TX 78613, USA
Tel. +1 512 531 6400
Fax. +1 512 531 6500
info@ets-lindgren.com

European Headquarters
Mekaanikontie 1
27510 Eura, Finland
Tel. +358 2 8383 300
Fax. +358 2 8651 233
info@euroshield.com

United Kingdom
Boulton Road, Pin Green Ind. Area,
Stevenage, Herts. SG1 4TH, UK
Tel. +44 1438 730 700
Fax. +44 1438 730 751
info@lindgren-rayproof.com

Asian Headquarters
87 Beach Road, #06-02 Chye Sing
Building, Singapore 189695
Tel. +65 536 7078
Fax. +65 536 7093
lrfesin@singnet.com.sg