

## *Shielded Doors* **RFD-100 Swing Door**

The high performance typical to EUROSHIELD doors is shown by the graph below, which represents the results of measurements made in accordance with MIL-STD-285.

The performance graph was based on MIL-STD-285 tests with a minimum of 125 dB for electric fields and plane waves from 1 kHz to 1 GHz and more than 135 dB for microwave frequencies from 1 GHz to 20 GHz.

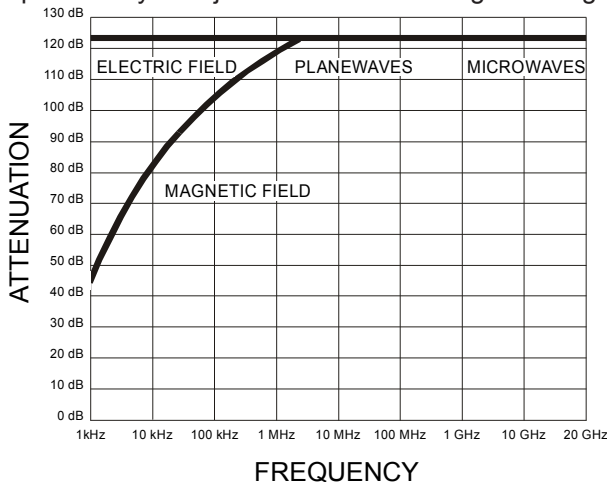
The least favorable point of the door was chosen for the attenuation test. The result is plotted on the magnetic field graph. The attenuation value improved 20 dB when measured at the door center.

Euroshield door unit consists of frame and door for nominal 800 x 2000 mm and 1000 x 2000 mm clear opening together with internal type recessed hardware and two special hinges.

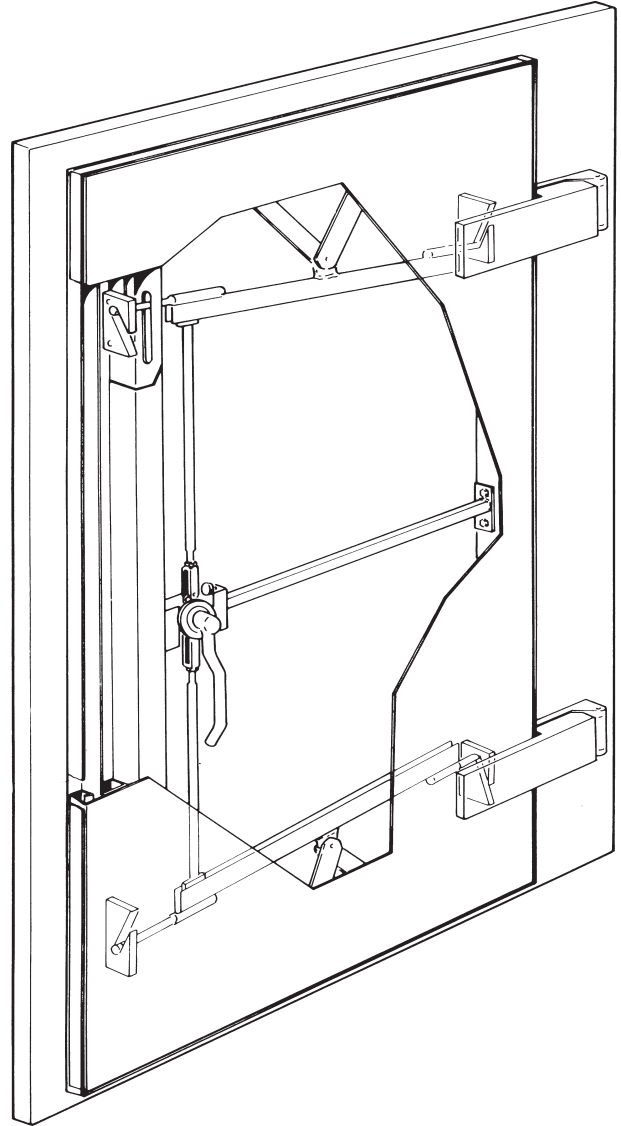
The patented hinges allow the final closing movement to be parallel to the door frame and also permit a normal circular trajectory when the door is opened wide. RF seal is obtained by cam followers at both edges of the door. The door has four recessed contact fingers.

The door is easy to handle because the opening and closing mechanism is equipped with bearings. The door can also be designed for welded installation to the shielded enclosure.

The door can be equipped with pneumatic RF-tight opening / closing system for lighter operation. In this case the door must be opened manually; the operation system just releases the RF-tight locking.



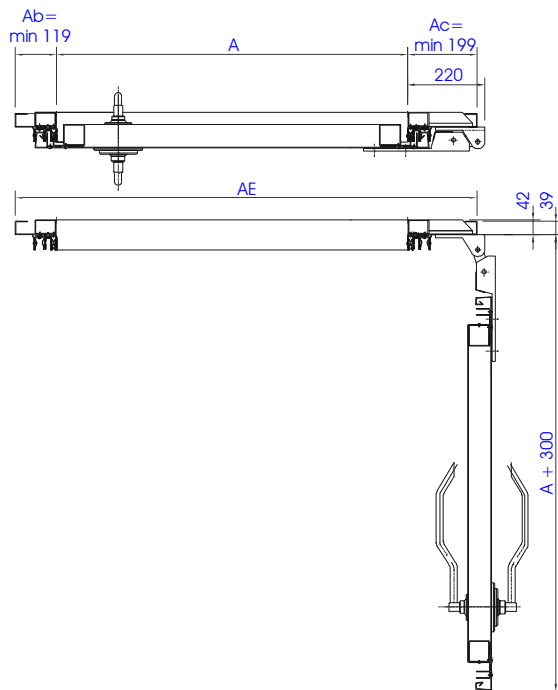
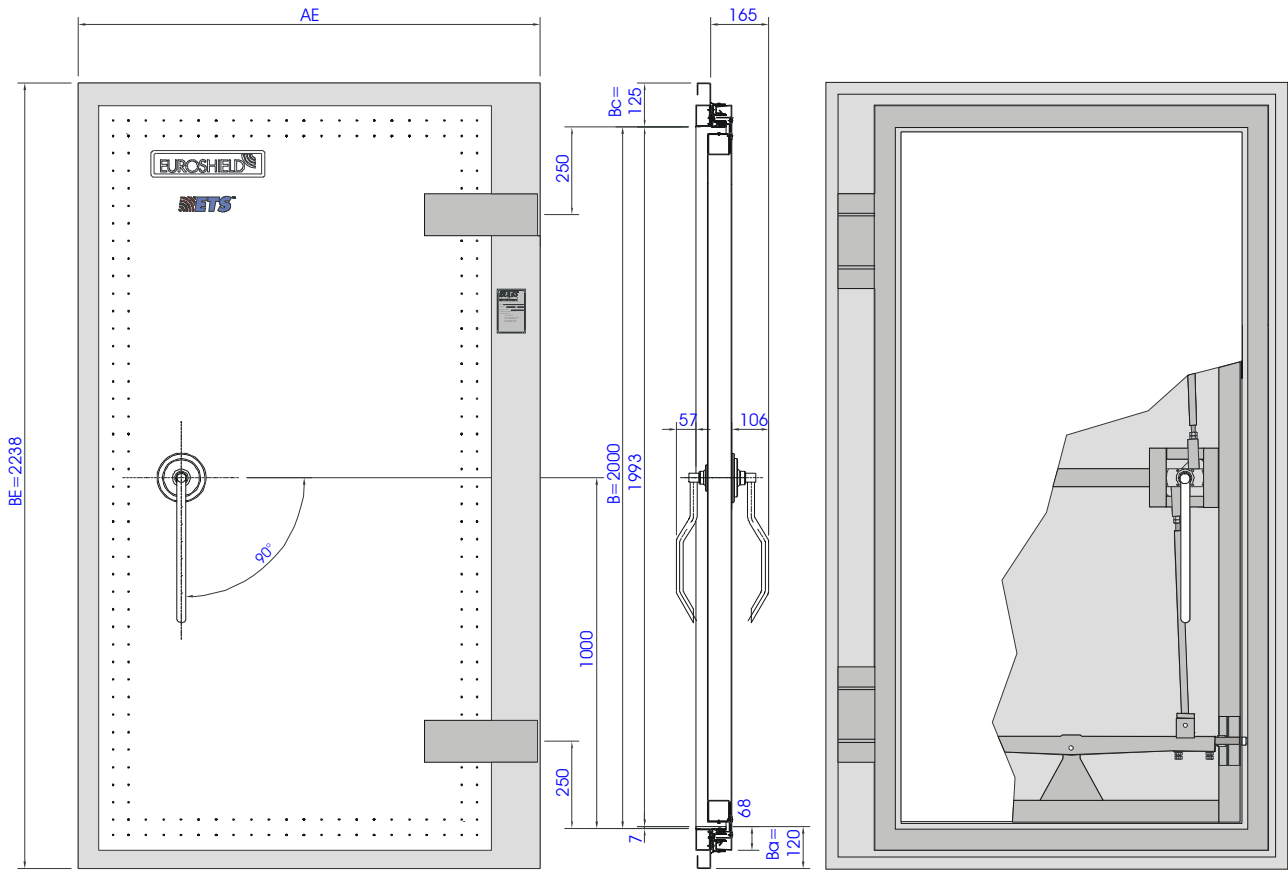
Shielding effectiveness measured acc. to MIL-STD-285



The door leaf of Euroshield RFD-100 swing doors is painted on both sides (standard color white RAL 9010).

### OPTIONS:

- Non-standard sizes on request (up to 3.0 x 3.0 m with special constructions)
- Pneumatic operation systems PNL-1 and PNL-3
- Locking systems: code lock, card lock etc. (requires PNL-3 operation system)
- Microswitch indicating the RF-tight open / closed status of the door
- Slope ramp system in front



Standard clear opening sizes in mm			
A	800	1000	1200
B	2000	2000	2000
The dimensions in the drawing apply to the standard sizes			



ETS-Lindgren reserves the right to any change in this document without any further notice - 01/02

**ETS-Lindgren Corporate Headquarters**  
1301 Arrow Point Drive  
Cedar Park, TX 78613, USA  
Tel. +1 512 531 6400  
Fax. +1 512 531 6500  
info@ets-lindgren.com

**European Headquarters**  
Mekaanikontie 1  
27510 Eura, Finland  
Tel. +358 2 8383 300  
Fax. +358 2 8651 233  
info@euroshield.com

**United Kingdom**  
Boulton Road, Pin Green Ind. Area,  
Stevenage, Herts, SG1 4TH, UK  
Tel. +44 1438 730 700  
Fax. +44 1438 730 751  
info@lindgren-rayproof.com

**Asian Headquarters**  
87 Beach Road, #06-02 Chye Sing  
Building, Singapore 189695  
Tel. +65 536 7078  
Fax. +65 536 7093  
lrfesin@singnet.com.sg