

HI-6122, HI-6105, HI-6153
HI-6023, HI-6006, HI-6053

EMC Field Probes

User Manual



 **ETS-LINDGREN**[®]
An ESCO Technologies Company

ETS-Lindgren Inc. reserves the right to make changes to any products herein to improve functioning or design. Although the information in this document has been carefully reviewed and is believed to be reliable, ETS-Lindgren does not assume any liability arising out of the application or use of any product or circuit described herein; nor does it convey any license under its patent rights nor the rights of others. All trademarks are the property of their respective owners.

© Copyright 2015-2018 by ETS-Lindgren Inc. All Rights Reserved. No part of this document may be copied by any means without written permission from ETS-Lindgren Inc.

Trademarks used in this document: The *ETS-Lindgren* logo is a registered trademark, and *ProbeView*, *LaserPro*, and *ProbeView II* are trademarks of ETS-Lindgren Inc; *Microsoft* and *Windows* are registered trademarks of Microsoft Corporation in the United States and/or other countries.

Revision Record

MANUAL, PROBES, HI-6006 HI-6023 | Part #399395, Rev. A

Revision	Description	Date
A	Initial Release	December, 2015
B	Updated range for HI-6105 and HI-6006	February, 2018

Table of Contents

Notes, Cautions, and Warnings	viii
Laser Safety Considerations	viii
Recycling & Disposal Information	ix
ETS-Lindgren Product Information Bulletin	ix
1.0 Introduction	11
Standard Configuration.....	11
Readout Options	12
HI-6100 Field Monitor (For Laser & Battery Probes)	12
HI-6113 Laser Data Interface (For Laser Probes).....	12
HI-4413P Fiber Optic Modem (For Battery Probes)	13
HI-4413USB Fiber Optic to USB Converter (For Battery Probes).....	13
Additional Options.....	14
H-491009 Tripod.....	14
Probe Stand.....	15
About Probe Operation	16
2.0 Typical Configurations	17
HI-6100 Field Monitor Configuration.....	17
HI-6113 Laser Data Interface Configuration	18
HI-4413P / HI-4413USB Configuration	19
3.0 Maintenance	21
Probe Shield Care and Replacement	21
Battery Replacement	23
HI-6023 & HI-6006 Battery Replacement	23
HI-6053 Battery Replacement	26
Laser Probes and Maintenance of Fiber Optics	28
Replacement and Optional Parts	29
Readout Options.....	29
Probe Shields	30
Cables, Connectors, Maintenance/Cleaning Kits	30
Battery Charger, Battery, Battery Hatch Replacement Screws	31
Carrying Cases	32
Tripod, Probe Stand.....	32

Upgrade Policies.....	32
Service Procedures	33
Contacting ETS-Lindgren	33
Sending a Component for Service.....	33
Calibration Services and Annual Calibration	33
4.0 Specifications.....	35
Laser-Powered Probe Specifications.....	35
HI-6122 Specifications.....	35
HI-6105 Specifications.....	36
HI-6153 Specifications.....	38
Battery-Operated Probe Specifications	39
HI-6023 Specifications.....	39
HI-6006 Specifications.....	41
HI-6053 Specifications.....	42
5.0 Laser-Powered Field Probes	45
HI-6122 Electric Field Probe.....	46
HI-6105 Electric Field Probe.....	46
HI-6153 Electric Field Probe.....	47
6.0 Battery-Operated Field Probes.....	49
HI-6023 Field Probe.....	50
HI-6023 Power Switch	50
HI-6006 Field Probe.....	51
HI-6006 Power Switch	51
HI-6053 Field Probe.....	52
HI-6053 Power Switch	53
HI-6053 Controls.....	54
7.0 Typical Data: Laser-Powered Probes	55
HI-6122 Typical Data.....	55
HI-6122 Typical Frequency Response	55
HI-6122 Typical Isotropic Response.....	56
HI-6105 Typical Data.....	57
HI-6105 Typical Frequency Response	57
HI-6105 Typical Isotropic Response.....	58
HI-6153 Typical Data.....	59
HI-6153 Typical Frequency Response	59

HI-6153 Typical Isotropic Response.....	60
8.0 Typical Data: Battery-Operated Probes.....	63
HI-6023 Typical Data.....	63
HI-6023 Typical Frequency Response with Limits	63
HI-6023 Typical Isotropic Response.....	64
HI-6006 Typical Data.....	65
HI-6006 Typical Frequency Response with Limits	65
HI-6006 Typical Isotropic Response.....	66
HI-6053 Typical Data.....	67
HI-6053 Typical Frequency Response	67
HI-6053 Typical Isotropic Response.....	68
Appendix A: Warranty	71
Duration of Warranties.....	71
Appendix B: Series H-491198-01 Battery Charger	73
Safety Precautions.....	73
Introduction.....	73
Battery Life.....	74
Charging the Batteries	75
Charging Indicators.....	76
Synchronizing the Battery Charge Indicator	77
Discharging a Battery	78
Battery Charger Specifications	78
Maintenance Recommendations	79
Replacing the Fuse.....	80
Appendix C: Series H-491198-48 Battery Charger	81
Safety Precautions.....	81
Introduction.....	81
Battery Life.....	82
Charging a Battery.....	83
Charging Indicators.....	84
Synchronizing the Battery Charge Indicator	85
Discharging a Battery	86
Battery Charger Specifications	86
Maintenance Recommendations	87
Replacing the Fuse.....	88

Appendix D: Operating Protocols 89

Communication Protocol..... 89
 HI-61XX Series LaserPro Field Probes 89
 HI-60XX Series Battery-Operated Field Probes 89
Information Transfer Protocol 90
 Command Structure..... 90
Probe Commands 91
 HI-61XX Series LaserPro Field Probes 91
 HI-60XX Series Field Probes 94
HI-6113 Laser Data Interface Commands 97
Probe Error Output 98

Appendix E: ETSProbe DLL User Guide 99

About Redistribution 99
Getting Started..... 99
DLL Function Calling Conventions 100
Supported Probes and Communications Protocols 100
 Probe Family HI-Any (Auto Probe Detector)..... 104
 Probe Family FP-Any (Auto Probe Detector FP)..... 104
 Probe Family Virtual 104
 Probe Family HI-44xx MS..... 105
 Probe Family HI-6005 MS (Medium Speed)..... 105
 Probe Family HI-6005 HS (High Speed)..... 106
 Probe Family Laser HS (High Speed) 106
 Probe Types Not Supported 106
Quick Start Function Reference..... 107
 ETS_CreateProbe()..... 107
 ETS_ReadFieldSynchronous()..... 111
 ETS_RemoveProbe() 112
Advanced Function Reference 113
 ETS_Battery()..... 113
 ETS_CalibrationDate()..... 114
 ETS_CombinedField() 115
 ETS_Field()..... 116
 ETS_Firmware() 117
 ETS_GetErrorDescription()..... 118
 ETS_GetUnitsString()..... 119

ETS_InitiateReadBattery().....	120
ETS_InitiateReadField()	121
ETS_InitiateReadTemperature().....	122
ETS_IsOperationComplete()	123
ETS_Model().....	124
ETS_ProbeName()	125
ETS_ReadBatterySynchronous()	126
ETS_ReadTemperatureSynchronous().....	127
ETS_SerialNumber()	128
ETS_SetRange()	129
ETS_SetUnits().....	130
ETS_TemperatureC()	131
ETS_LaserCurrent()	132
ETS_Version()	133
ETS_SupplyVoltage()	134
ETS_LaserTemperature().....	135
ETS_ZeroProbe()	136
Status Codes	137
Appendix F: EC Declaration of Conformity.....	140
Applicable Requirements.....	140

Notes, Cautions, and Warnings



Note: Denotes helpful information intended to provide tips for better use of the product.



Caution: Denotes a hazard. Failure to follow instructions could result in minor personal injury and/or property damage. Included text gives proper procedures.



Warning: Denotes a hazard. Failure to follow instructions could result in SEVERE personal injury and/or property damage. Included text gives proper procedures.



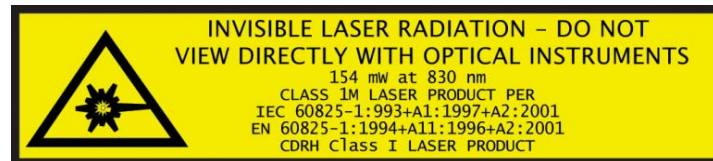
Note: See the ETS-Lindgren *Product Information Bulletin* for safety, regulatory, and other product marking information.

Laser Safety Considerations



Class 1M

LASER HAZARD. Laser power up to 150 mW at 830 nm may be accessible at the fiber connector of the laser. However, the laser beam itself is not hazardous as the interlock ensures that the exposure time will be less than 30 ms.



Note: See the ETS-Lindgren *Product Information Bulletin* for safety, regulatory, and other product marking information.

Recycling & Disposal Information



Waste Electrical and Electronic Equipment (WEEE)
Directive: (European Union) At end of useful life, this product should be deposited at an appropriate waste disposal facility for recycling and disposal. Do not dispose of with household waste.



Recyclable Products: This product includes rechargeable batteries. At end of useful life, please recycle the used batteries, or dispose of them safely and properly. Many cities collect used batteries for recycling or disposal. You may contact your local waste disposal agency for information on battery recycling and disposal.

ETS-Lindgren Product Information Bulletin

See the ETS-Lindgren *Product Information Bulletin* included with your shipment for the following:

- Warranty information
- Safety, regulatory, and other product marking information
- Steps to receive your shipment
- Steps to return a component for service
- ETS-Lindgren calibration service
- ETS-Lindgren contact information

This page intentionally left blank.

1.0 Introduction

The **ETS-Lindgren EMC Field Probes** embody the latest innovations in isotropic sensor design and low-noise, miniaturized electronics. Each probe is a fully intelligent sensor enabling fast and accurate EMF measurements with industry-leading performance specifications. Optical coupling to a variety of readout options makes these probes ideally suited for a wide range of field monitoring applications.

The EMC field probes include laser-powered (laser) probes and battery-operated (battery) probes. This manual includes operating information and specifications for these probe models:

Laser-Powered (see page 45)	<ul style="list-style-type: none">• HI-6122• HI-6105• HI-6153
Battery-Operated (see page 47)	<ul style="list-style-type: none">• HI-6023• HI-6006• HI-6053

Standard Configuration

With each field probe you receive the following:

- Battery Charger (battery-operated probes only)
- Cables (10-meter)
- Carrying Case

Readout Options



Note: For more information on using these readout options with ETS-Lindgren probes, see *Typical Configurations* on page 17.

HI-6100 FIELD MONITOR (FOR LASER & BATTERY PROBES)

The HI-6100 Field Monitor accepts inputs from up to any four probes, and analyzes and displays information on a user-configurable LCD.

The HI-6100 may be used in conjunction with both the laser and battery-operated probes.



HI-6100 Field Monitor

HI-6113 LASER DATA INTERFACE (FOR LASER PROBES)

The laser probes and the HI-6113 Laser Data Interface together communicate with ProbeView™ Laser software through a USB port on the computer.



HI-6113 Laser Data Interface

HI-4413P FIBER OPTIC MODEM (FOR BATTERY PROBES)

The battery-powered probes use the HI-4413P Fiber Optic Modem to communicate with ProbeView II™ software through a serial port on the computer.



HI-4413P Fiber Optic Modem

HI-4413USB FIBER OPTIC TO USB CONVERTER (FOR BATTERY PROBES)

The battery-powered probes use the HI-4413USB Fiber Optic to USB Converter to communicate with ProbeView II™ software through a USB port on the computer.



HI-4413USB Fiber Optic to USB Converter

Additional Options

H-491009 TRIPOD

The H-491009 Dielectric Tripod is the preferred method for mounting field probes for making unperturbed field measurements. It includes a 1/4–20 UNC threaded stud for mounting any ETS-Lindgren probe with a tripod mount. It is designed with an adjustable center post and a rotating mount.



PROBE STAND

The ETS-Lindgren Probe Stand may also be used in testing configurations. The probe stand supports up to two probes.



About Probe Operation



Note: For information on reducing measurement uncertainties and selecting the best field probe for your application, see *Practical Considerations for Radiated Immunities Measurement using ETS-Lindgren EMC Probes* located in the white papers section on the ETS-Lindgren website.



Note: For complete information on setting up and operating the field monitor, software, and other devices available for the laser and battery-operated field probes, please see the documentation provided with those products.



Note: Field probes are nominally rated for operation within a specific frequency range, but may also respond to signals above and below those frequencies. A probe may exhibit response to frequencies below the lower end of the range, and may also respond to frequencies above the upper end of the range, though not consistently or predictably.



Note: Keep all conductive objects away from laser-powered and battery-operated probes. Conductive objects in the proximity of the probe can distort the near field and compromise measurement accuracy. If the application requires measurements from a fixed position, always mount the probe on a non-metallic platform using non-metallic screws.

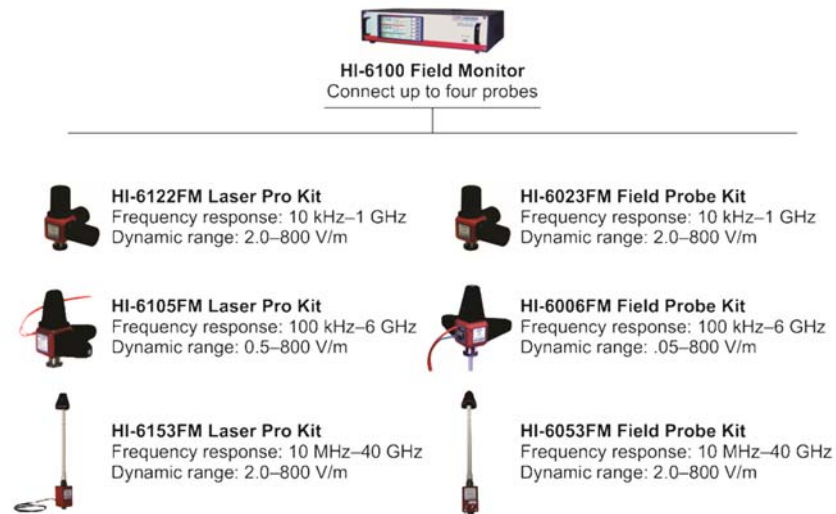
2.0 Typical Configurations

A variety of configurations are available with the field monitors, probes, and other devices. Following are typical examples of how the components can be assembled to accommodate most testing environments.

- **HI-6100 Field Monitor Configuration**—see page 17
- **HI-6113 Laser Data Interface Configuration**—see page 18
- **HI-4413P / HI-4413USB Configuration**—see page 19

HI-6100 Field Monitor Configuration

The following diagram illustrates the ETS-Lindgren probes that may be used with the HI-6100 Field Monitor. In the diagram, the **FM** in **HI-6153FM**, for example, refers to *Field Monitor Kit*. As a kit, the probe includes an interface card.



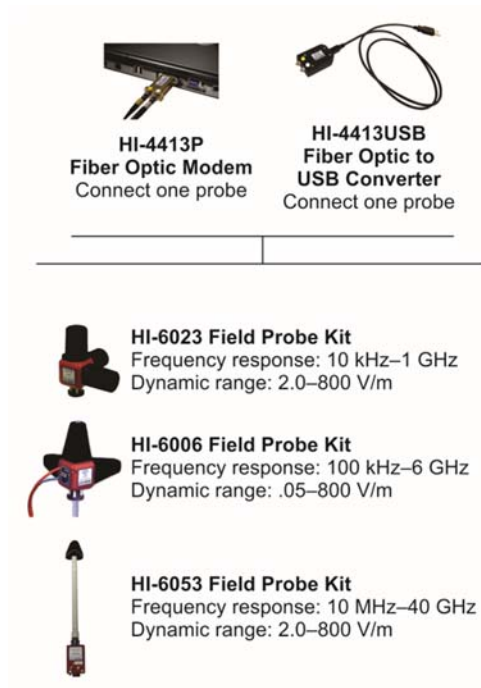
HI-6113 Laser Data Interface Configuration

The following diagram illustrates the ETS-Lindgren probes that may be used with the HI-6113 Laser Data Interface (LDI). In the diagram, the **USB** in **HI-6153USB**, for example, refers to *USB Kit*. As a kit, the probe includes all components required to operate the probe with the HI-6113.



HI-4413P / HI-4413USB Configuration

The following diagram illustrates the ETS-Lindgren probes that may be used with the HI-4413P Fiber Optic Modem or the HI-4413USB Fiber Optic to USB Converter.



This page intentionally left blank.

3.0 Maintenance



CAUTION: Before performing any maintenance, follow the safety information in the ETS-Lindgren *Product Information Bulletin* included with your shipment.



WARNING: Maintenance of probes is limited to external components such as cables, connectors, and probe shields (select models only; see page 21).



For information on fiber optic cable and connector maintenance, see *Laser Probes and Maintenance of Fiber Optics* on page 25.



Warranty may be void if the housing is opened.

If you have any questions concerning maintenance, contact ETS-Lindgren Customer Service.

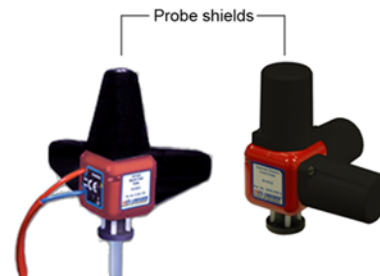
Probe Shield Care and Replacement



Note: This section applies only to the following probes; for probe shield part numbers, see page 30.

- HI-6122
- HI-6105
- HI-6023
- HI-6006

Over time the probe shields may accumulate foreign materials that could become embedded in the shield surface. Probe shields must be kept clean to maintain proper operation.



If the probe shields need to be replaced, you may order them from ETS-Lindgren. Follow these steps to replace the probe shields:

1. Remove the nylon screws from the probe shield.
2. Lift the shield straight up and away from the housing.



Note: Lift the shield high enough to clear the internal antenna assembly, or you may damage the assembly. Never touch the antenna assembly. You may transfer a static charge to the assembly that may distort or disable the measuring capability in that axis.

3. With the probe in a protective, supportive position, carefully replace the probe shield by lowering it straight down onto the housing.



Note: Make sure to clear the internal antenna assembly when lowering the shield or you may damage the assembly.

4. Replace the screws snugly without over-tightening them.



Note: Over-tightening the screws may damage the screw heads. If you require additional nylon screws, you may order them from ETS-Lindgren or obtain them locally. Non-conductive screws must be used for this application. Never use metal screws.

5. Repeat this procedure for the other shields, if necessary.

Battery Replacement

HI-6023 & HI-6006 BATTERY REPLACEMENT

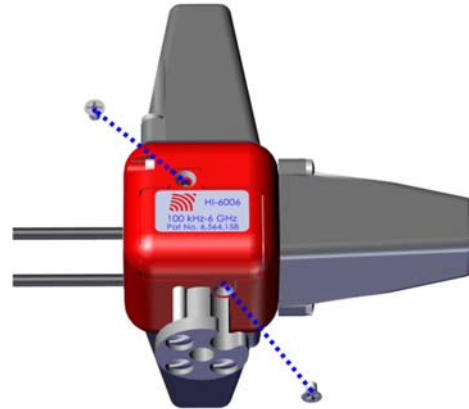


Note: To order replacement screws for the HI-6023/HI-6006 battery hatch, see page 31.

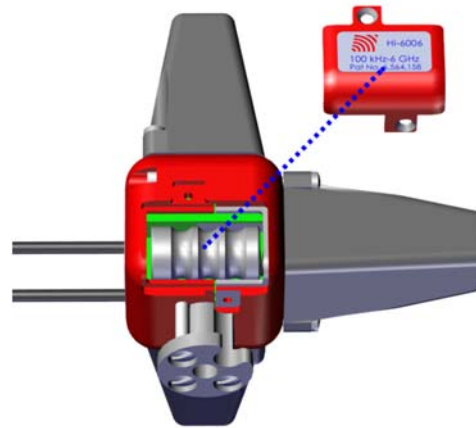


Note: The HI-6006 probe is shown in the following steps; the steps are identical for the HI-6023.

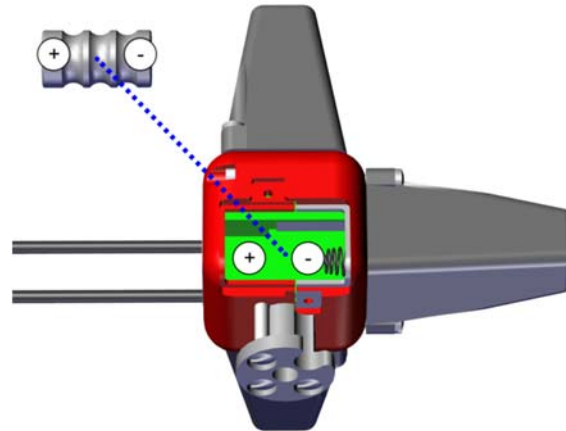
1. Rotate the two hatch screws and remove.



2. Remove the hatch.

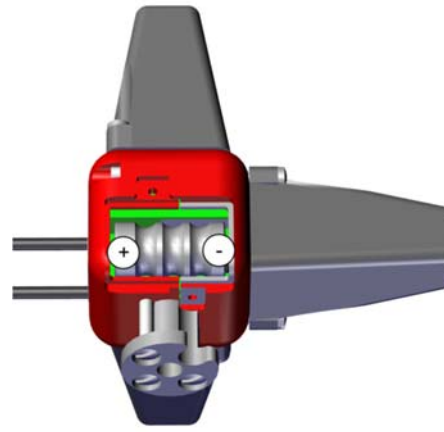


3. Remove the spent battery.

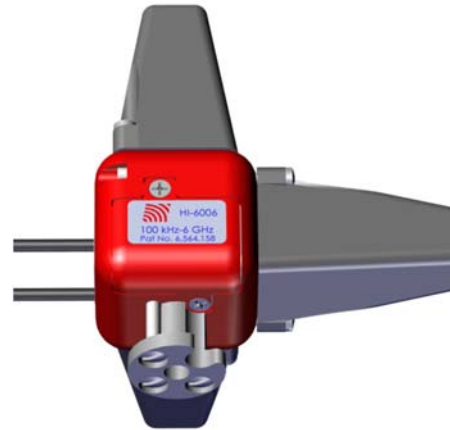


Note: Notice the location of the + (positive) and - (negative) marks on the battery and inside the probe. You will use these marks in step 4 to install the new battery.

4. Insert the new battery, making sure to align the + (positive) and - (negative) marks on the battery with the marks on the probe.



5. Replace the hatch and the two screws.



HI-6053 BATTERY REPLACEMENT

During the annual calibration of your HI-6053 at the ETS-Lindgren factory, the batteries are tested to verify continued operability. If required, the batteries are replaced at that time. It is rare that you should need to replace the batteries between calibration checks, but in that event, follow these steps.



Note: If you are not qualified to perform this procedure, please consult ETS-Lindgren Customer Service. ETS-Lindgren is not responsible for damage to the probe as a result of replacing the batteries.

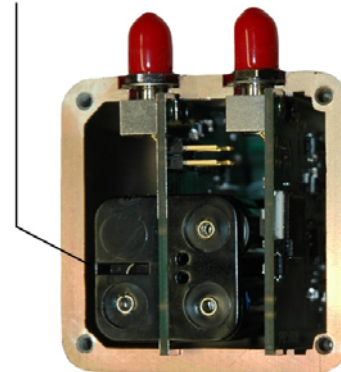


Note: See the *Product Information Bulletin* included with your shipment for information on ETS-Lindgren calibration services.

1. Turn the HI-6053 off. Verify that the green indicator light is not flashing.
2. Carefully disconnect the fiber optic cables from the **Transmit** and **Receive** connectors.
3. Remove the two nuts; one on each fiber optic connector.
4. Remove the four screws from the bottom of the electronics housing.

5. Lift the bottom away from the housing. Wires from the power button are connected to the internal circuitry, so carefully turn the bottom over and place it to the side, avoiding placing stress on the wires.

Board with four AAA rechargeable NiMH batteries

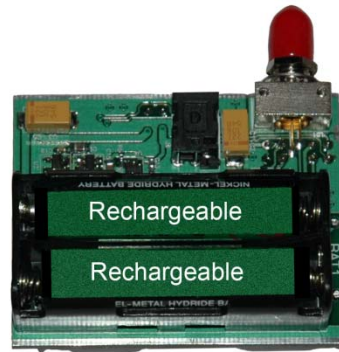


Inside HI-6053 housing
(Bottom plate with power button wires not shown)

6. A single connector attaches the two boards together. Withdraw the two boards from the housing at the same time. The boards should easily slide out of the tracks.
7. Detach the two boards by carefully separating them at the connector, avoiding damage to the pins.
8. Replace the four AAA rechargeable NiMH batteries, orienting the +/- ends as indicated.



Vertical board
with four batteries



Horizontal board
with two batteries showing



Note: Recycle the used batteries, or dispose of them safely and properly. Many cities collect used batteries for recycling or disposal. You may contact your local waste disposal agency for information on battery recycling and disposal.

9. Reattach the two boards at the connector.
10. Slide the two boards into the correct tracks inside the housing, and carefully push them until they are completely recessed.
11. Replace the bottom of the housing, avoiding damage to the power button wires.
12. Replace and tighten the four screws into the bottom of the housing.
13. Replace the two nuts removed in step 3; one on each fiber optic connector.

Laser Probes and Maintenance of Fiber Optics

Fiber optic connectors and cables can be damaged from airborne particles, humidity and moisture, oils from the human body, and debris from the connectors they plug into. Always handle connectors and cables with care, using the following guidelines.



CAUTION: Before performing any maintenance, disconnect the fiber optic cables from the unit and turn off power.

When disconnecting fiber optic cables, apply the included dust caps to the ends to maintain their integrity.

Before connecting fiber optic cables, clean the connector tips and in-line connectors.

Before attaching in-line connectors, clean them with moisture-free compressed air.

Failure to perform these tasks may result in damage to the fiber optic connectors or cables.

Replacement and Optional Parts



Note: ETS-Lindgren may substitute a similar part or new part number with the same functionality for another part/part number. Contact ETS-Lindgren for questions about part numbers and ordering parts.

Following are the part numbers for ordering replacement or optional parts for the EMC Probes. Not every part can be used with every probe; check **For Probe Model** in each table to verify which part can be used with which probe.

READOUT OPTIONS

For Probe Model	Part Description	Part Number
HI-6122, HI-6105, H-6153 HI-6023, HI-6006, HI-6053	HI-6100 Field Monitor	HI-6100
HI-6122, HI-6105, HI-6153	Laser Data Interface	HI-6113
HI-6023, HI-6006, HI-6053	Fiber Optic Modem, RS-232 Interface	HI-4413P
HI-6023, HI-6006, HI-6053	Fiber Optic to USB Converter, USB Interface	HI-4413USB

PROBE SHIELDS



Note: The probe shield replacement kit includes:

- Three probe shields (cones)
- One each X, Y, and Z axis label
- Six screws

For Probe Model	Part Number
HI-6122, HI-6023	112955
HI-6105	H-491237
HI-6006	H-651016

CABLES, CONNECTORS, MAINTENANCE/CLEANING KITS

For Probe Model	Part Description	Part Number
HI-6122, HI-6105, HI-6153	Cable Assembly, Fiber, FC-FC, ST-ST	H-491263-xx (xx=length in meters)
	FC to FC Inline Connector	H-23861521000
	ST to ST Inline Connector	708027
	Fiber Optic Cleaning System	H-34FO1
	Laser System Fiber Optic Maintenance Kit	112333

For Probe Model	Part Description	Part Number
HI-6023, HI-6006, HI-6053	Cable, Fiber Optic, Glass	H-491106-xx (xx=length in meters)
	Connector Set, two required (Bulkhead Feedthrough)	H-231205000

BATTERY CHARGER, BATTERY, BATTERY HATCH REPLACEMENT SCREWS

Battery Charger	
For Probe Model	Part Number
HI-6023, HI-6006	H-491198-48
HI-6053	H-491198-01

Battery	
For Probe Model	Part Number
HI-6023, HI-6006	122552
HI-6053	400038

Battery Hatch Replacement Screws	
For Probe Model	Part Number
HI-6023, HI-6006	123593 [kit includes (2) screws, (1) screwdriver]

CARRYING CASES

For Probe Model	Part Number
HI-6122, HI-6105 H-6023, HI-6006	H-491260
HI-6153, HI-6053	H-491291

TRIPOD, PROBE STAND

For Probe Model	Part Description	Part Number
All Probe Models	Tripod, Dielectric	H-491009
	Probe Stand	H-491269
	Probe Carrier for H-491269 Probe Stand	H-491276

Upgrade Policies

Periodically, probes are upgraded to enhance functionality. Contact ETS-Lindgren Customer Service for the upgrade status of your probe.

Service Procedures

CONTACTING ETS-LINDGREN



Note: Please see ets-lindgren.com for a list of ETS-Lindgren offices, including phone and email contact information.

SENDING A COMPONENT FOR SERVICE

For the steps to return a system or system component to ETS-Lindgren for service, see the *Product Information Bulletin* included with your shipment.

CALIBRATION SERVICES AND ANNUAL CALIBRATION

See the *Product Information Bulletin* included with your shipment for information on ETS-Lindgren calibration services.

This page intentionally left blank.

4.0 Specifications



Note: For battery charger specifications, see *Appendix B* on page 73 or *Appendix C* on page 81, depending on your battery charger model.

Laser-Powered Probe Specifications

HI-6122 SPECIFICATIONS

Dynamic Range:	2.0 – 800 Volts per meter (V/m)
Ranges:	Single
Typical Frequency Response:	<u>10 kHz–1 GHz</u> <ul style="list-style-type: none">• 10 kHz–30 kHz: +0.5 dB, -2.5 dB• 30 kHz–1 GHz: ± 1 dB
Typical Frequency Response with Correction:	10 kHz–1 GHz: ± 0.9 dB
Linearity:	± 0.5 dB
Isotropy:	± 0.5 dB @ 400 MHz
Overload Withstand:	> 1,500 V/m CW
Physical Interface:	<ul style="list-style-type: none">• Duplex optical fiber (62.5 micron multimode)• FC connectors for laser cable, integral 1-m optical cable• ST connector for transmitter cable, integral 1-m optical cable
Probe Mount:	1/4–20 UNC tapped hole (internal thread)

Environmental	
Operating Temperature:	10°C to 40°C 50°F to 104°F
Humidity:	5% to 95% relative humidity, non-condensing
Dimensions	
Housing:	32 mm x 32 mm x 32 mm 1.26 in x 1.26 in x 1.26 in
Probe Shields:	36 mm (1.42 in)
Weight:	80 g (2.82 oz)

HI-6105 SPECIFICATIONS

Dynamic Range:	0.5–800 Volts per meter (V/m) Single Range (64 dB)
Typical Frequency Response:	<u>100 kHz–6 GHz</u> <ul style="list-style-type: none"> • 500 kHz–2 GHz: +1 dB, -2.5 dB • 2 GHz–5.5 GHz: +3 dB, -4.5 dB • 5.5 GHz–6 GHz: +2 dB, -6 dB
Typical Frequency Response with Correction:	100 kHz–6 GHz: ±0.9 dB
Linearity:	±0.5 dB (1–800 V/m)
Isotropy:	±0.5 dB @ 400 MHz
Overload Withstand:	1,500 V/m

Physical Interface:	<ul style="list-style-type: none"> • Duplex optical fiber (62.5 micron multimode) • FC connectors for laser cable, integral 1-m optical cable • ST connector for transmitter cable, integral 1-m optical cable
Probe Mount:	1/4–20 UNC (internal thread)
Dimensions	
Housing:	32 mm x 32 mm x 32 mm 1.26 in x 1.26 in x 1.26 in
Probe Shields:	43 mm (1.69 in)
Weight:	0.08 kg (2.6 oz.)
Environmental	
Operating Temperature:	10°C to 40°C 50°F to 104°F
Humidity:	5% to 95% relative humidity, non-condensing

HI-6153 SPECIFICATIONS

Dynamic Range:	2.0–800 Volts per meter (V/m)
Ranges:	Single
Typical Frequency Response:	<p><u>10 MHz–40 GHz</u></p> <ul style="list-style-type: none"> • 10 MHz–100 MHz: +3 dB, -4 dB • 100 MHz–1 GHz: +3 dB, -0.5 dB • 1 GHz–18 GHz: +4 dB, -2 dB • 18 GHz–40 GHz: +3.5 dB, -4.5 dB
Typical Frequency Response with Correction:	<ul style="list-style-type: none"> • 10 MHz–18 GHz: ± 0.9 dB • 18 GHz–40 GHz: ± 1.1 dB
Linearity:	±0.5 dB
Isotropy:	±1.0 dB < 18 GHz
Overload Withstand:	1,500 V/m
Physical Interface:	<ul style="list-style-type: none"> • Duplex optical fiber (62.5 micron multimode) • FC connectors for laser cable, integral 1-m optical cable • ST connector for transmitter cable, integral 1-m optical cable
Probe Mount:	1/4–20 UNC tapped hole (internal thread)

Environmental	
Operating Temperature:	10°C to 40°C 50°F to 104°F
Humidity:	5% to 95% relative humidity, non-condensing
Dimensions	
Probe Length:	438 mm (17.24 in) (includes electronics housing)
Probe Diameter:	57 mm (2.24 in)
Weight:	0.36 kg (12.64 oz)

Battery-Operated Probe Specifications

HI-6023 SPECIFICATIONS

Dynamic Range:	2.0–800 Volts per meter (V/m)
Ranges:	Single
Typical Frequency Response:	<u>10 kHz–1 GHz</u> <ul style="list-style-type: none"> • 10 kHz–30 kHz: +0.5 dB, -2.5 dB • 30 kHz–1 GHz: ±1 dB
Typical Frequency Response with Correction:	10 kHz–1 GHz: ±0.9 dB
Linearity:	±0.5 dB
Isotropy:	±0.5 dB @ 400 MHz
Overload Withstand:	> 1,500 V/m CW

Fiber Optic Cable Connector:	Standard FSMA
Probe Mount:	1/4–20 UNC tapped hole (internal thread)
Battery:	Rechargeable Nickel-Metal Hydride (NiMH)
Battery Life:	Up to 8 hours
Battery Charger:	<ul style="list-style-type: none"> • 100–240 VAC universal input • 3-hour charge from full depletion
Environmental	
Operating Temperature:	10°C to 40°C 50°F to 104°F
Humidity:	5% to 95% relative humidity, non-condensing
Dimensions	
Housing:	32 mm x 32 mm x 32 mm 1.26 in x 1.26 in x 1.26 in
Probe Shields:	36 mm (1.42 in)
Weight:	80 g (2.82 oz)

HI-6006 SPECIFICATIONS

Dynamic Range:	0.5–800 Volts per meter (V/m) Single Range (64 dB)
Typical Frequency Response:	<u>100 kHz–6 GHz</u> <ul style="list-style-type: none"> • 500 kHz–2 GHz: +1 dB, -2.5 dB • 2 GHz–5.5 GHz: +3 dB, -4.5 dB • 5.5 GHz–6 GHz: +2 dB, -6 dB
Typical Frequency Response with Correction:	100 kHz–6 GHz: ±0.9 dB
Linearity:	±0.5 dB (1–800 V/m)
Isotropy:	±0.5 dB @ 400 MHz
Overload Withstand:	1,500 V/m maximum Continuous field
Fiber Optic Cable Connectors:	Standard FSMA
Probe Mount:	1/4–20 UNC (internal thread)
Battery:	Rechargeable Nickel-Metal Hydride (NiMH)
Battery Life:	Up to 8 hours
Battery Charger:	100–240 VAC Approximately three hours

Dimensions	
Housing:	32 mm x 32 mm x 32 mm 1.26 in x 1.26 in x 1.26 in
Probe Shields:	43 mm (1.69 in)
Weight:	0.08 kg (2.6 oz)
Environmental	
Operating Temperature:	10°C to 40°C 50°F to 104°F
Humidity:	5% to 95% relative humidity, non-condensing

HI-6053 SPECIFICATIONS

Dynamic Range:	2.0–800 Volts per meter (V/m)
Ranges:	Single
Typical Frequency Response:	<p><u>10 MHz–40 GHz</u></p> <ul style="list-style-type: none"> • 10 MHz–100 MHz: +3 dB, -4 dB • 100 MHz–1 GHz: +3 dB, -0.5 dB • 1 GHz–18 GHz: +4 dB, -2 dB • 18 GHz–40 GHz: +3.5 dB, -4.5 dB
Typical Frequency Response with Correction:	<ul style="list-style-type: none"> • 10 MHz–18 GHz: ±0.9 dB • 18 GHz–40 GHz: ±1.1 dB
Linearity:	±0.5 dB
Isotropy:	±1.0 dB < 18 GHz

Overload Withstand:	1,500 V/m
Fiber Optic Cable Connector:	Standard FSMA
Probe Mount:	1/4–20 UNC tapped hole (internal thread)
Battery:	Four AAA batteries, rechargeable Nickel-Metal Hydride (NiMH)
Battery Charger:	100–240 VAC Approximately three hours
Battery Life:	> 30 hours continuous (at full charge)
Environmental	
Operating Temperature:	10°C to 40°C 50°F to 104°F
Humidity:	5% to 95% relative humidity, non-condensing
Dimensions	
Probe Length:	438 mm (17.24 in) (includes electronics housing)
Probe Diameter:	57 mm (2.24 in)
Weight:	0.36 kg (12.64 oz)

This page intentionally left blank.

5.0 Laser-Powered Field Probes

The HI-61XX Series LaserPro™ Field Probe is a laser-powered probe, an excellent tool for electric field mapping, industrial monitoring, and EMC field measurements.

The HI-61XX Series probes contain a photo-voltaic converter that provides power to the probe circuitry when sufficient light power is received by the converter. The light power is generated by a laser in the HI-6113 Laser Data Interface, and is transmitted to the converter through an optical fiber in the duplex fiber optic cable. The probe communicates with the HI-6113 through this fiber optic cable. Receiving power from the HI-6113 allows for unlimited test times.

The probe system incorporates a safety interlock mechanism that turns off the laser if the HI-6113 does not receive data from the probe within a specified time frame. The safety mechanism is intended to prevent injury from the laser if the HI-6113 issues a command to turn on the laser while the fiber optic cables are disconnected, improperly connected, cut, or damaged.



Note: The laser driver in the HI-6100 Field Monitor also incorporates this safety interlock mechanism, and operates in the same manner.

The HI-6100 Field Monitor may be used with the HI-61XX Series for RFI/EMC testing. The HI-61XX Series can also be connected to a personal computer using an optional HI-6113 Laser Data Interface and ProbeView™ Laser software. For more information on readout options, see page 11.



Note: For a list and description of communication and information transfer protocols, including command structure, probe commands, and HI-6113 commands, see *Appendix D: Operating Protocols* on page 89.

HI-6122 Electric Field Probe



The **ETS-Lindgren HI-6122 Field Probe** provides broadband frequency coverage and wide dynamic range that satisfies the demands of most test requirements.

The frequency response of the HI-6122 is 10 kHz to 1 GHz, and the dynamic range is 2 to 800 Volts per meter (V/m).

The HI-6122 is a true 3-axis probe. When requested, X, Y, Z, and total field data can be reported.

HI-6105 Electric Field Probe



The **ETS-Lindgren HI-6105 Electric Field Probe** is a fully intelligent sensor enabling fast and accurate EMF measurements with industry-leading performance specifications. Optical coupling to a variety of readout options makes this probe ideally suited for a wide range of field monitoring applications.

HI-6153 Electric Field Probe



The **ETS-Lindgren HI-6153 Field Probe** provides broadband frequency coverage and wide dynamic range that satisfies the demands of most test requirements.

The frequency response of the HI-6153 is 10 MHz to 40 GHz, and the dynamic range is 2 to 800 Volts per meter (V/m).



The HI-6153 assembly consists of a pyramidal casing containing the sensor, which is mounted on one end of a shaft. The other end of the shaft is attached to an extrusion that houses the electronics. The sensor and electronics housing operate and are calibrated as a unit.



The HI-6153 is a true 3-axis probe. When requested, X, Y, Z, and total field data can be reported.

6.0 Battery-Operated Field Probes



Note: Before using your battery-operated probe, read the following:

- **HI-6023 and HI-6006 Field Probe:** *Appendix C: Series H-491198-48 Battery Charger* on page 81.
- **HI-6053 Field Probe:** *Appendix B: Series H-491198-01 Battery Charger* on page 73.



Note: To calibrate the probe prior to shipment, ETS-Lindgren also charges the internal battery at the factory. Every effort is made to make sure that the probe arrives ready to use, but you should verify the condition of the battery prior to making any measurements.

The HI-60XX Series Field Probe is a battery-operated probe that utilizes three orthogonal sensors to provide an isotropic reading of the electric field. When requested, X, Y, Z, and total field data can be reported, making the HI-60XX Series true 3-axis probes.

The HI-60XX Series uses either the HI-4413P Fiber Optic Modem or the HI-4413USB Fiber Optic to USB Converter to communicate with ProbeView II™ software through a port on the computer. The HI-6100 Field Monitor may also be used with the HI-60XX Series. For more information on readout options, see page 11.



Note: For a list and description of communication and information transfer protocols, including command structure and probe commands, see *Appendix D: Operating Protocols* on page 89.

HI-6023 Field Probe



The **ETS-Lindgren HI-6023 Field Probe** provides broadband frequency coverage and wide dynamic range that satisfies the demands of most test requirements.

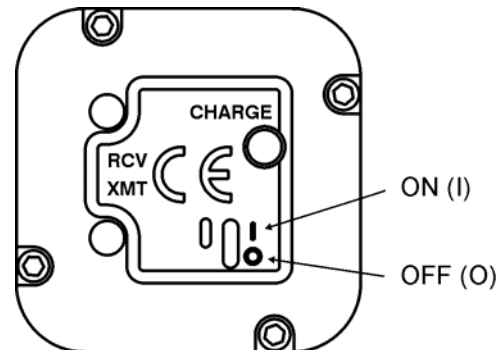
The frequency response of the HI-6023 is 10 kHz to 1 GHz, and the dynamic range is 2 to 800 Volts per meter (V/m).

The HI-6023 is a true 3-axis probe. When requested, X, Y, Z, and total field data can be reported.

HI-6023 POWER SWITCH

The power switch activates and deactivates the HI-6023:

- **ON (I)**—When the power switch is in the **I** position, an internal 4.8 VDC Nickel-Metal Hydride (NiMH) battery provides power to the probe, and the power indicator LED blinks.



- **OFF (O)**—When the power switch is in the **O** position, the probe is inactive. To prolong battery life, set the switch to **OFF** when the probe is not in use.

HI-6006 Field Probe



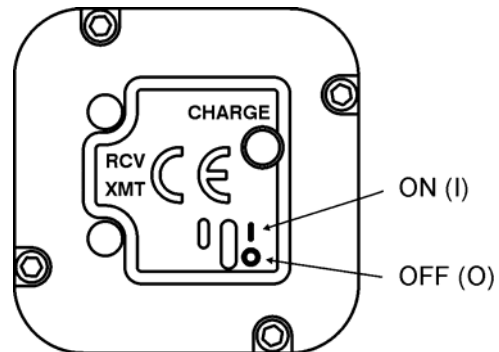
The **ETS-Lindgren HI-6006 Field Probe** is a fully intelligent sensor enabling fast and accurate EMF measurements with industry-leading performance specifications. Optical coupling to a variety of readout options makes this probe ideally suited for a wide range of field monitoring applications.

The HI-6006 is a true 3-axis probe. When requested, X, Y, Z, and total field data can be reported.

HI-6006 POWER SWITCH

The power switch activates and deactivates the HI-6006:

- **ON (I)**—When the power switch is in the **I** position, an internal 4.8 VDC Nickel-Metal Hydride (NiMH) battery provides power to the probe, and the power indicator LED blinks.



- **OFF (O)**—When the power switch is in the **O** position, the probe is inactive. To prolong battery life, set the switch to **OFF** when the probe is not in use.

HI-6053 Field Probe



The **ETS-Lindgren HI-6053 Field Probe** provides broadband frequency coverage and wide dynamic range that satisfies the demands of most test requirements.

The frequency response of the HI-6053 is 10 MHz to 40 GHz, and the dynamic range is 2 to 800 Volts per meter (V/m).



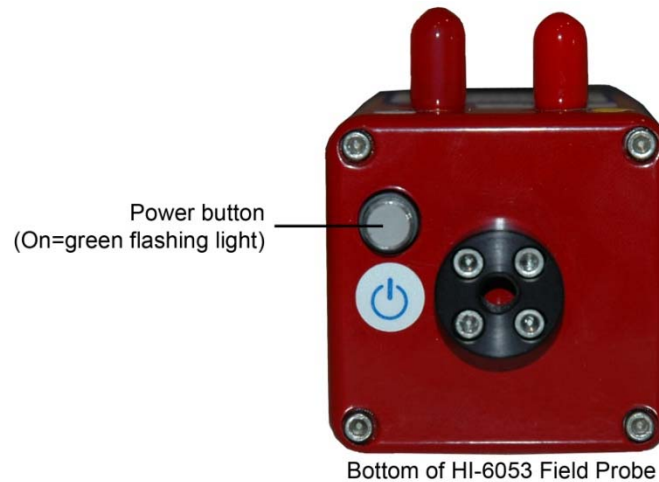
The HI-6053 assembly consists of a pyramidal casing containing the sensor, which is mounted on one end of a shaft. The other end of the shaft is attached to an extrusion that houses the electronics. The sensor and electronics housing operate and are calibrated as a unit.



The HI-6053 is a true 3-axis probe. When requested, X, Y, Z, and total field data can be reported.

HI-6053 POWER SWITCH

The power button that activates and deactivates the HI-6053 is located on the bottom of the electronic housing. A green indicator light in the power button flashes when the probe is on.



- **On**—To turn the HI-6053 on, push in the power button, and then release. The power button flashes a green indicator light when the probe is on, and four AAA Nickel-Metal Hydride (NiMH) batteries supply power.
- **Off**—To turn the HI-6053 off, push in the power button, and then release. The green indicator light stops flashing, indicating the probe is off. When not in use, turn the probe off to prolong battery life.

HI-6053 CONTROLS

Two fiber optic connectors and a battery charger connector are mounted on the HI-6053 housing.



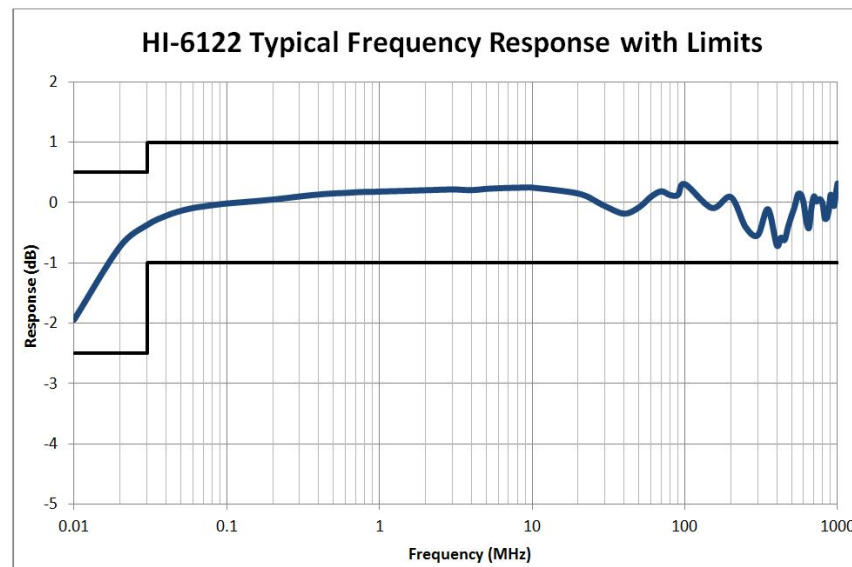
7.0 Typical Data: Laser-Powered Probes

HI-6122 Typical Data

HI-6122 TYPICAL FREQUENCY RESPONSE



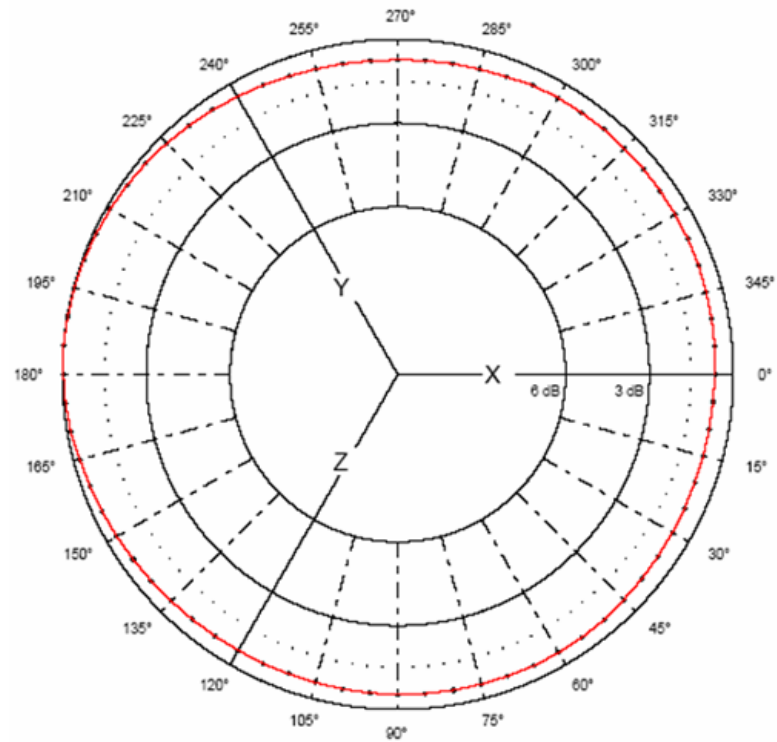
Note: TEM Cell and GTEM! – Field Level 20 V/m.



HI-6122 TYPICAL ISOTROPIC RESPONSE



Note: Isotropic response measured in a 20 V/m field at 400 MHz.

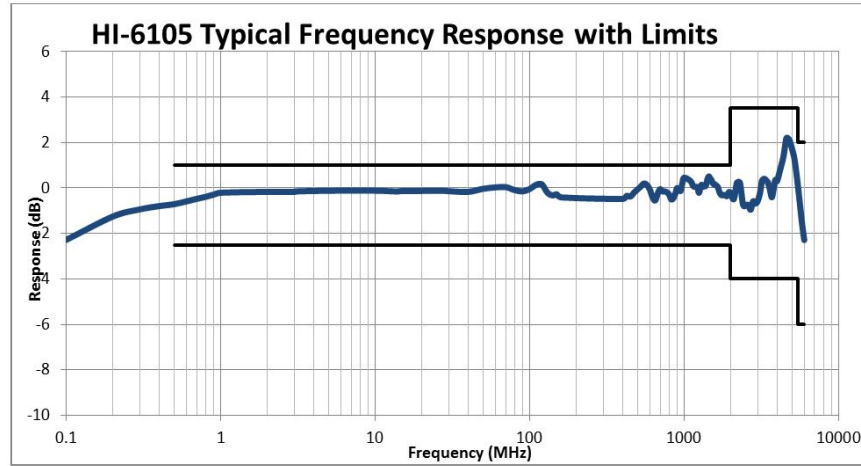


HI-6105 Typical Data

HI-6105 TYPICAL FREQUENCY RESPONSE



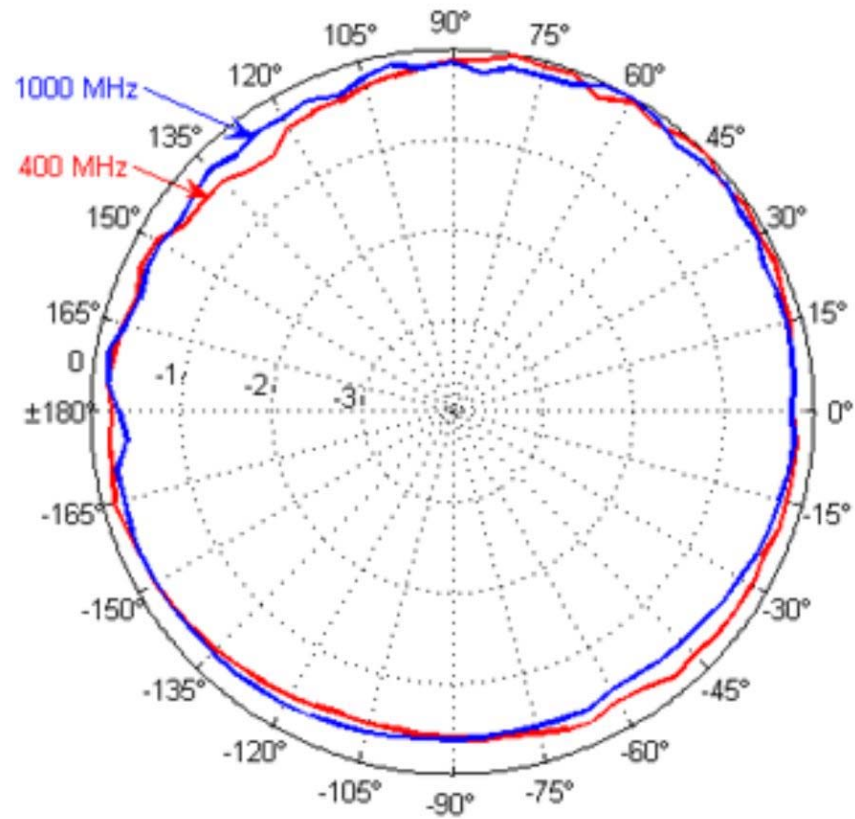
Note: Anechoic Room and TEM Cell – Field Level 20 V/m.



HI-6105 TYPICAL ISOTROPIC RESPONSE



Note: Actual data taken at 400 MHz, field level 20 V/m, maximum variation 0.54 dB.



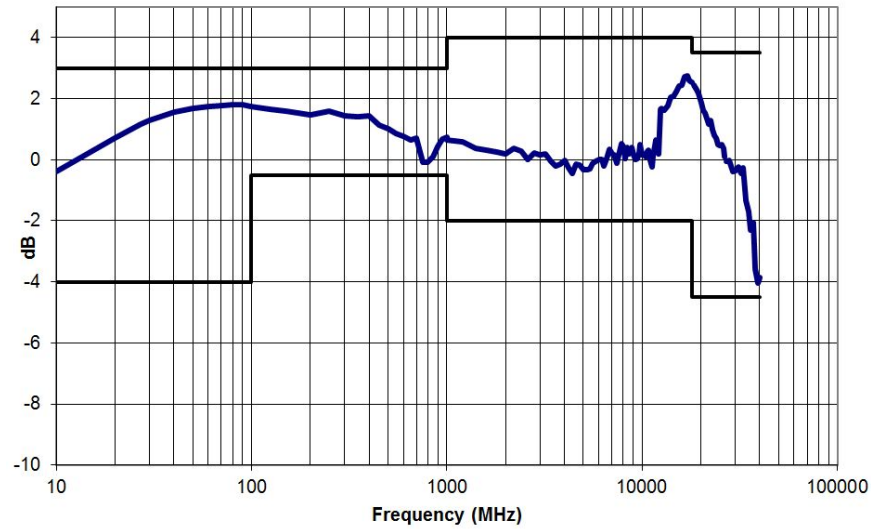
HI-6153 Typical Data

HI-6153 TYPICAL FREQUENCY RESPONSE



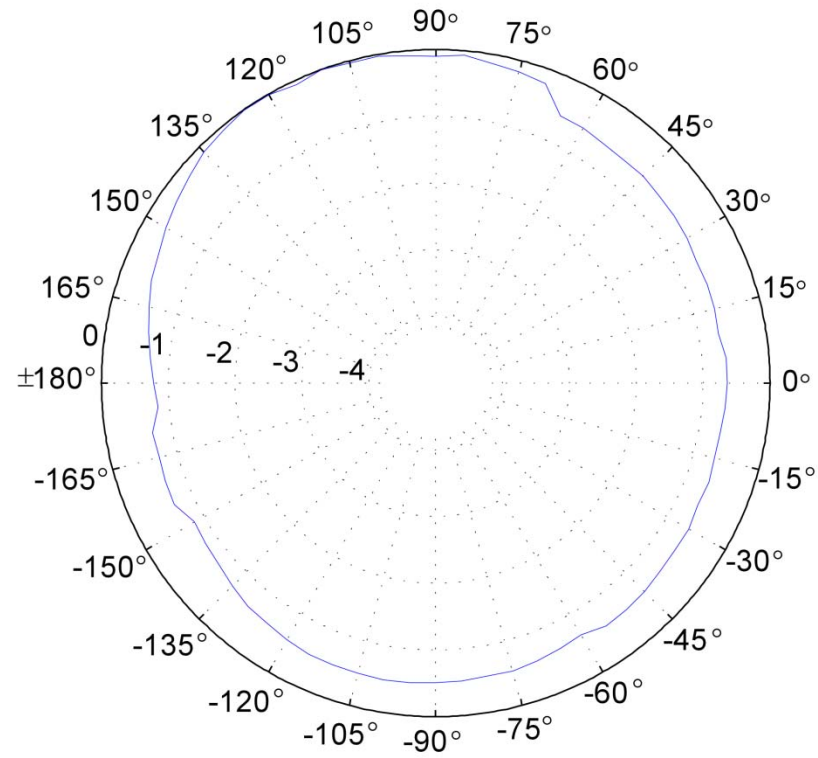
Note: Field Level 20 V/m.

HI-6153 Typical Frequency Response with limits

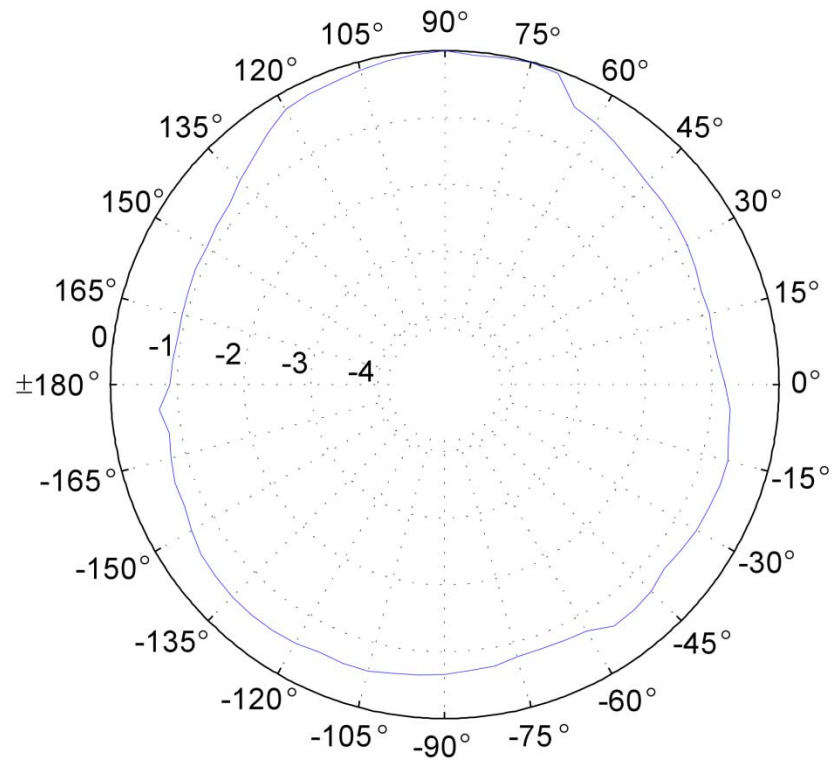


HI-6153 TYPICAL ISOTROPIC RESPONSE

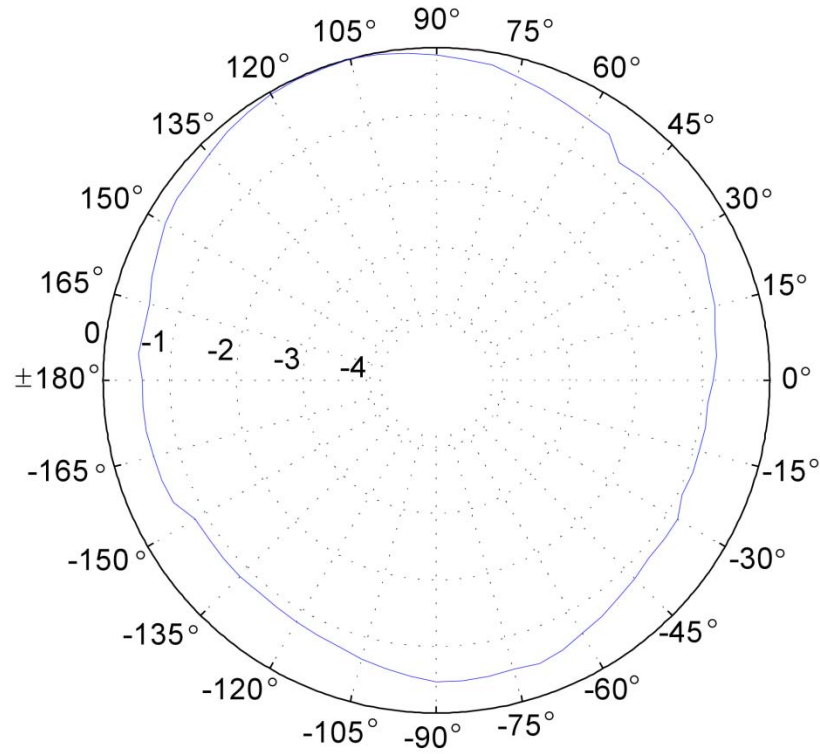
Typical Isotropic Response in dB at 1 GHz



Typical Isotropic Response in dB at 10 GHz



Typical Isotropic Response in dB at 18 GHz



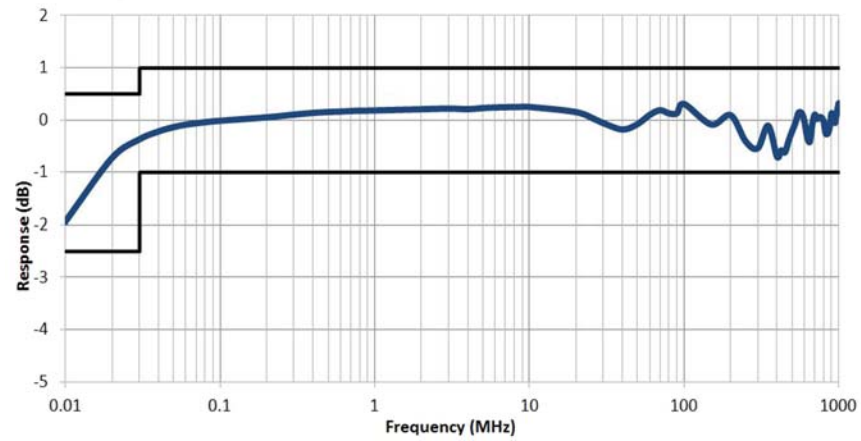
8.0 Typical Data: Battery-Operated Probes

HI-6023 Typical Data

HI-6023 TYPICAL FREQUENCY RESPONSE WITH LIMITS



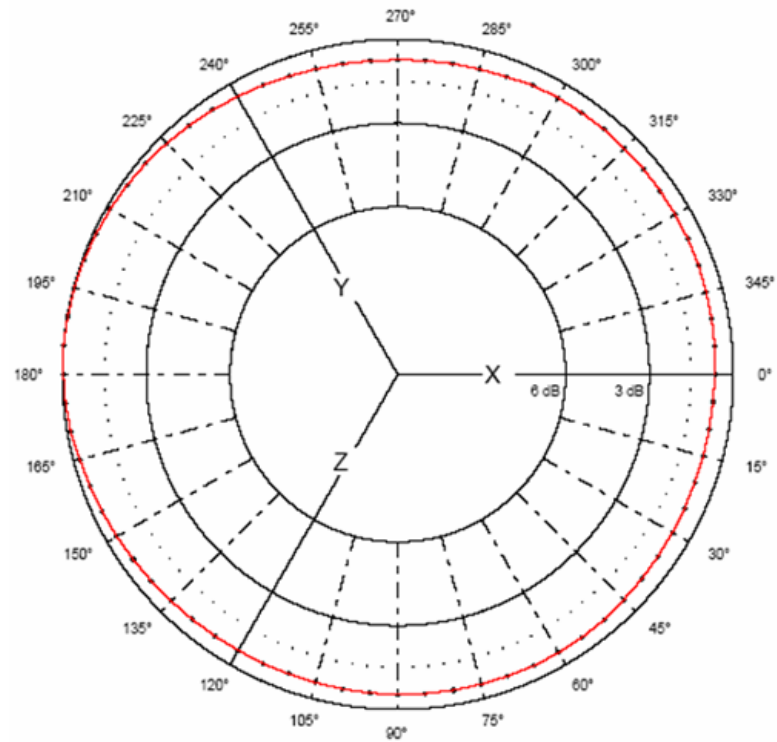
Note: TEM Cell and GTEM! – Field Level 20 V/m.



HI-6023 TYPICAL ISOTROPIC RESPONSE



Note: Isotropic response measured in a 20 V/m field at 400 MHz.

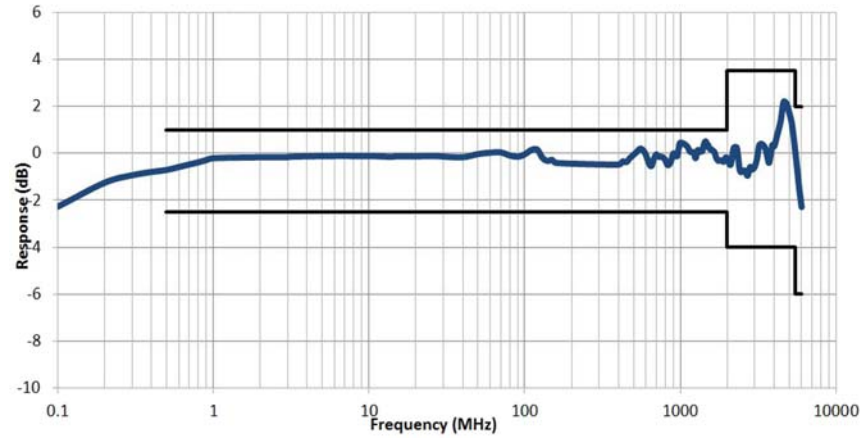


HI-6006 Typical Data

HI-6006 TYPICAL FREQUENCY RESPONSE WITH LIMITS



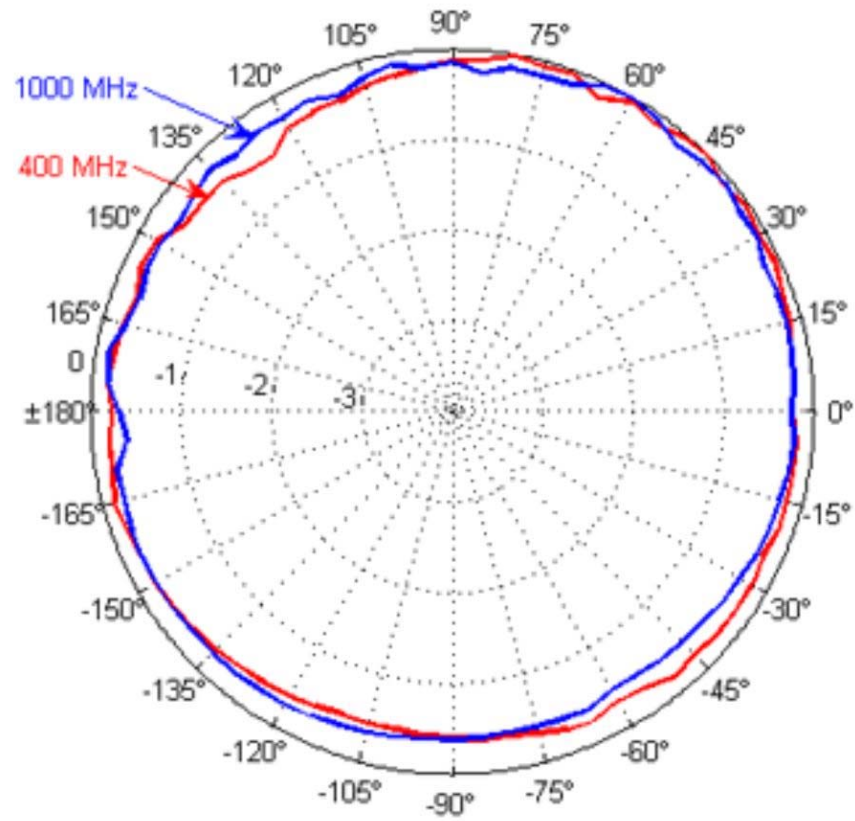
Note: Anechoic Room and TEM Cell – Field Level 20 V/m.



HI-6006 TYPICAL ISOTROPIC RESPONSE



Note: Actual data taken at 400 MHz, field level 20 V/m, maximum variation 0.54 dB.



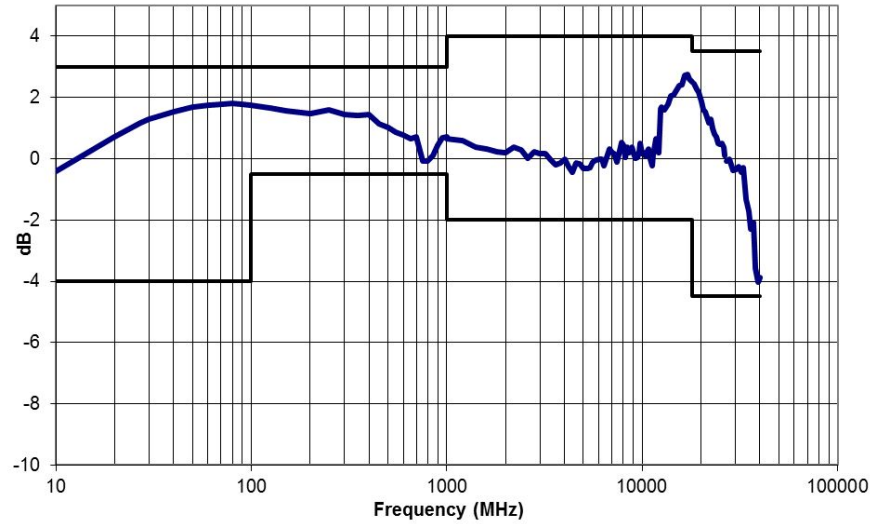
HI-6053 Typical Data

HI-6053 TYPICAL FREQUENCY RESPONSE



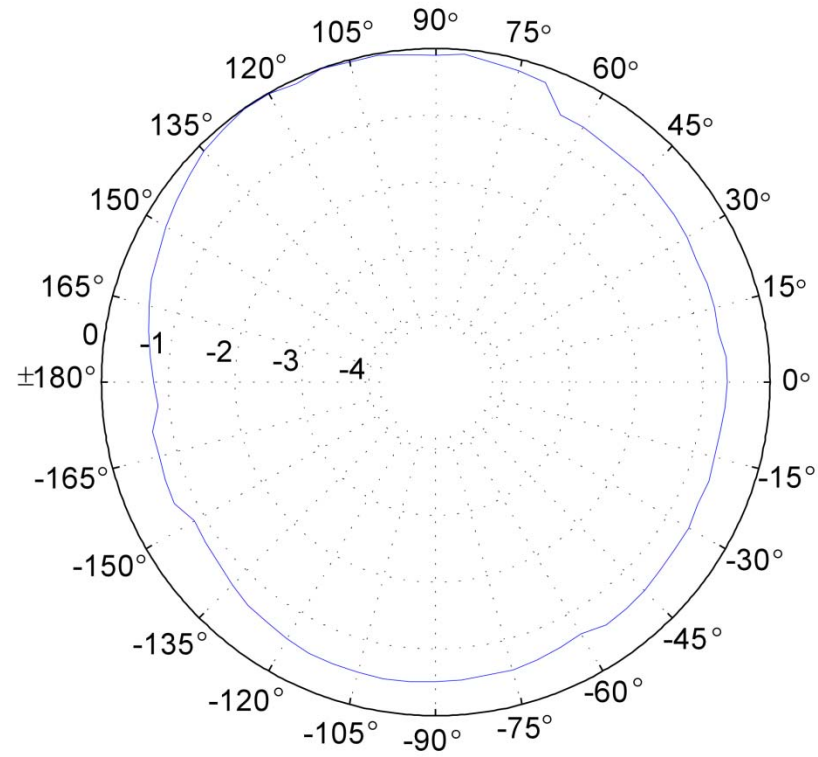
Note: Field Level 20 V/m.

HI-6053 Typical Frequency Response with limits

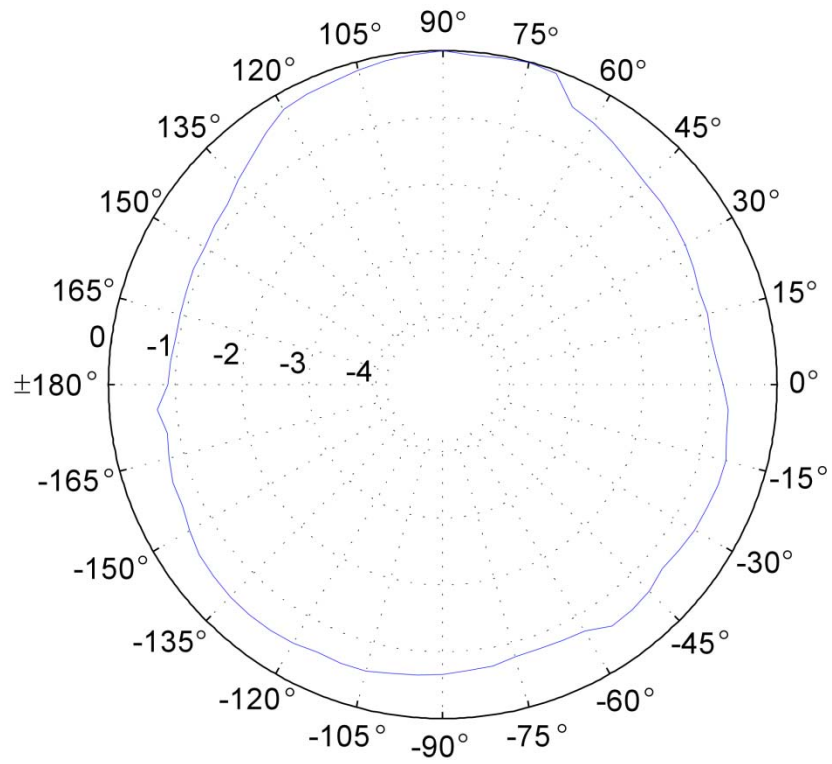


HI-6053 TYPICAL ISOTROPIC RESPONSE

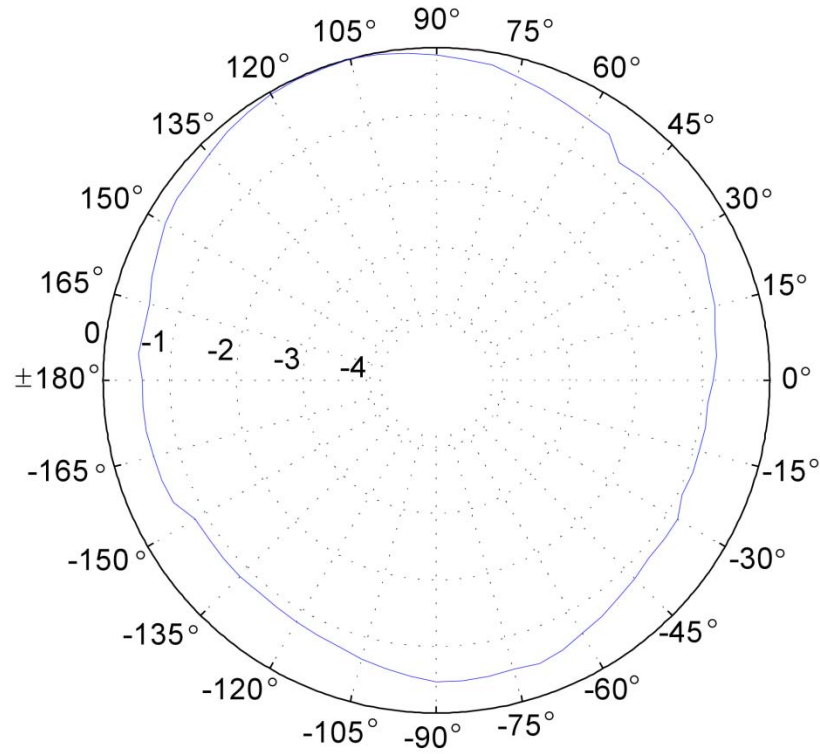
Typical Isotropic Response in dB at 1 GHz



Typical Isotropic Response in dB at 10 GHz



Typical Isotropic Response in dB at 18 GHz



Appendix A: Warranty



Note: See the *Product Information Bulletin* included with your shipment for the complete ETS-Lindgren warranty for your EMC Field Probe.

Duration of Warranties

All product warranties, except the warranty of title, and all remedies for warranty failures are limited to three years.

Product Warranted	Duration of Warranty Period
HI-6122	3 Years
HI-6105	3 Years
HI-6153	3 Years
HI-6023	3 Years
HI-6006	3 Years
HI-6053	3 Years

This page intentionally left blank.

Appendix B: Series H-491198-01 Battery Charger

For NiMH Batteries



Note: The HI-6053 Field Probe contains four AAA Nickel-Metal Hydride (NiMH) batteries, and uses the Series H-491198-01 Battery Charger.

Safety Precautions



Caution: Before operating the Series H-491198-01 Battery Charger, see *Laser Safety Considerations* on page viii.

Introduction

The **H-491198-01 Nickel-Metal Hydride (NiMH) Battery Charger** is a dual power source battery charger. It charges 4.8 volt 220 mA NiMH batteries and is powered by 85-264 VAC line power or 12.5 VDC. The H-491198-01 Battery Charger uses a $-(dV)/(dT)$ negative delta V technique to determine when the battery is fully charged, which is typically two hours. With this technique, the charge state of the battery has no effect other than shortening the charge time.



Housed in a rugged enclosure, power enters the battery charger through a power entry module, which contains the fuses, or an optional cigarette lighter plug adapter. The front face of the battery charger displays LEDs that provide the operating status. The battery charger connects to the device being charged through a short cord terminated with a power jack.

An integrated circuit within the battery charger monitors the battery voltage and controls the charging functions according to the charge state of the battery.

Battery Life

The NiMH batteries powering the battery-operated probe have high energy density for maximum operating time between charges, but also have a significant self-discharge characteristic. When the probe is stored for longer than a week or two, the batteries will discharge even though not in use. Leaving the batteries in a discharged condition for long periods of time may result in reduced battery life. For optimum testing time, charge the batteries before use.

The battery charger is microprocessor controlled to charge the batteries in the fastest possible manner. When the charger senses that the batteries are fully charged, the charging current drops to a maintenance level. This level is sufficient to maintain the full charged without causing battery damage. It is acceptable to leave the probe connected to the battery charger for extended periods of time.

With proper care, the batteries should last two to three years. Follow these recommendations to ensure maximum battery life and optimum testing performance:

- Turn the probe off when the probe is not in use. Leaving the probe on for extended periods of time will damage the batteries. When the batteries are discharged, the flashing power **ON** indicator will not function.
- When possible, leave the robe connected to the battery charger, and the battery charger connected to the mains electrical supply (charger operating). The battery charger status indicators will show **CHARGER ON** and **COMPLETE** when the batteries are on a maintenance charge.
- Operate the robe only within the optimum operating temperature range of +20°C to +30°C (+68°F to +86°F). Although NiMH batteries are rated for operation in temperatures from -20°C to +65°C (-4°F to +140°F), operating the probe at temperature extremes reduces the operating time of the batteries.
- Make sure the batteries are fully charged before resuming operation. The batteries do not require periodic deep discharges to reverse the effect caused by repeated shallow discharges, but undercharging can reduce battery capacity.

Fully charged batteries (nominal output voltage of 4.8 VDC) provide up to 30 hours of operation. When the batteries have discharged to 4.4 VDC, the probe will operate, but the batteries need to be charged. When the voltage drops below 4.0 VDC, measurement accuracy may be compromised by continued operation. When the battery voltage indication is less than 4 volts, a low battery indication is attached to the output data string warning of the problem. ETS-Lindgren software applications provide a warning indication on the display screen of the readout device. It is recommended that custom software packages using data from the probe monitor the data output for this condition.

If the batteries exhibit low terminal voltages during charging, or if they appear unable to acquire or maintain a charge, the batteries may be shorted or damaged. To replace the batteries, see *HI-6053 Battery Replacement* on page 26.

Charging the Batteries

For maximum battery life, fully charge the batteries before placing the probe into service. Failing to fully charge the batteries may result in reduced battery life and cause premature battery failure.

To charge a battery:

1. Make sure the probe is off or the batteries will not charge.
2. Connect the battery charger to the electrical mains, and then plug the charger output into the battery charger connector on the probe.



Caution: Never attempt to recharge a non-rechargeable battery.

CHARGING INDICATORS

The following LEDs are located on the front of the battery charger:

- **POWER ON** (green)—Indicates the battery charger is connected to the AC power source.
- **NO BATTERY** (amber)—Indicates the battery charger does not detect a battery.
- **PENDING** (amber)—Indicates the battery charger detects a battery.

Before fast charging can begin, the battery voltage must fall within predetermined acceptable limits. A pulse-trickle charge is provided to bring a depleted battery to a valid charge prior to fast charge.
- **CHARGING** (amber)—Indicates the voltage pre-qualification condition has been met, and fast charge has started.

Fast charging continues until termination by a peak voltage detect or a maximum charge time. For peak voltage detect, the fast charge is terminated when the battery voltage is lower than the previously measured values by 24mV. If a peak voltage is not detected, then the fast charge is terminated when the maximum time limit of 180 minutes is reached.
- **COMPLETE** (green)—Indicates a fast charging peak voltage is detected.

If the probe is turned on during the fast charge period of the charge cycle, the current surge that the batteries provide to the electronics in the probe will cause a momentary voltage drop on the batteries, causing the charger to terminate the fast charge based on a peak voltage detect condition.

The battery charger switches to top-off charge mode that provides a charge current one-eighth of the fast charge rate. This charge continues from the time when a peak voltage detect terminates the fast charge, until the maximum time of 180 minutes is reached. If the probe is disconnected from the charger at this point in the charge cycle, the batteries will operate properly.

Following the maximum time of 180 minutes, a pulse-trickle charge mode is used to compensate for the self-discharge of the batteries while idle in the charger.

The fast charge current is low enough that there is not always enough heating of the battery cells to cause the voltage to drop. With no voltage drop there is no peak voltage detection, and the fast charge will terminate after the maximum time of 180 minutes is reached.

SYNCHRONIZING THE BATTERY CHARGE INDICATOR

The probe has internal circuitry to track the charge condition of the batteries. NiMH batteries have a sharp discharge-curve knee, which means there is little indication that the batteries are nearly discharged prior to a low battery condition. The internal circuitry tracks the charging and discharging currents of the batteries and displays the calculated battery condition.

It is possible that the battery charge indication may lose synchronization with the actual battery condition. A loss of synchronization may be indicated by a low battery charge alert after the batteries were recently fully charged. Loss of synchronization may also be indicated by short battery life and premature low battery alert.

To synchronize the battery charge indicator:

1. Make sure the probe is off or the batteries will not charge.
2. Connect the battery charger to the electrical mains, and then plug the charger output into the battery charger connector on the probe.
3. Press the **DISCHARGE** button on the battery charger. The batteries will fully discharge, and then fully recharge. The total time required to discharge and recharge is approximately seven hours.
4. For best results, repeat the process once. However, it may be necessary to repeat the process three times for proper synchronization. The synchronization process may take up to 12 hours.

When completely charged, the battery indicator for the probe should indicate a charge level of more than 90%.

DISCHARGING A BATTERY

To discharge the batteries:

1. Make sure the probe is off or the batteries will not charge.
2. Connect the battery charger to the electrical mains, and then plug the charger output into the battery charger connector on the probe.
3. Press the **DISCHARGE** button on the battery charger. The batteries will fully discharge, and then fully recharge. The total time required to discharge and recharge is approximately seven hours.

Battery Charger Specifications

The battery charger may be powered by standard line voltage (110–240 VAC, 50–60 Hz) or by an optional automobile cigarette lighter plug (12.5 VDC).

NiMH Battery:	<ul style="list-style-type: none">• 4 AAA batteries, rechargeable NiMH (rapid charge cells, 1.2 volts/cell)• ETS-Lindgren Part #400038 (quantity required = 4)
Power	
Main:	IEC filtered AC power input module 110-240 VAC, 500 mA max, 50-100 Hz
Alternate:	Automobile cigarette lighter to 2 mm power plug adapter cord, 12.5 Vdc, 100 mA
Fuses:	250 volt, 1.0 Amp, Type T (5 mm x 20 mm)

Output	
Open Circuit Voltage:	12 Vdc
Fast Charge Pending Current:	2.0 mA
Fast Charge Current:	220 mA
Pulsed Trickle Charge Current:	2.0 mA
Output Voltage (During Fast Charge):	4–8 Vdc
Environmental	
Operating Temperature:	10°C to 40°C 50°F to 104°F
Humidity:	5% to 95% relative humidity, non-condensing

Maintenance Recommendations

- Operate the battery charger with care.
- There are no user serviceable parts inside the battery charger. Opening the battery charger housing may void your warranty.

REPLACING THE FUSE

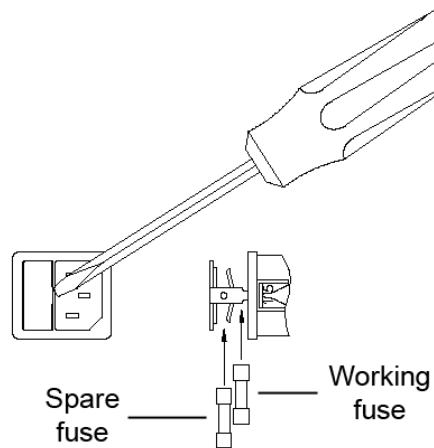


Caution: Disconnect the battery charger from power before replacing a fuse.

If the battery charger fails to operate, check for a blown fuse inside the power entry module. A blown fuse must be replaced with the same value and type of fuse, or an unsafe condition may result. Use only 250 Volt, 1.0 Amp, Type T (5 mm x 20 mm) fuses.

To replace a fuse:

1. Two fuses are located in the fuse drawer in the power input module. Use a screwdriver to open the drawer.
2. The fuse towards the outside of the drawer is the spare. Remove the spare fuse from the module.



3. Replace the blown fuse with the spare fuse.
4. Slide the fuse drawer back into the module. Make sure that the drawer snaps securely into its locked position.

Appendix C: Series H-491198-48 Battery Charger

For NiMH Batteries



Note: The HI-6023 and HI-6006 probes contain a Nickel-Metal Hydride (NiMH) battery, and use the Series H-491198-48 Battery Charger.

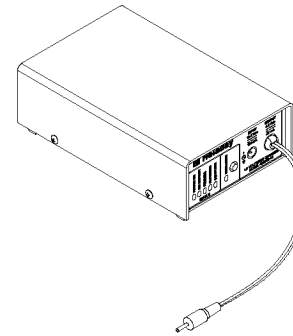
Safety Precautions



Caution: Before operating the Series H-491198-48 Battery Charger, see *Laser Safety Considerations* on page viii.

Introduction

The **H-491198-48 Nickel-Metal Hydride (NiMH) Battery Charger** is a dual power source battery charger. It charges 4.8 volt 25 mA NiMH batteries and is powered by 85-264 VAC line power or 12.5 VDC. The H-491198-48 Battery Charger uses a $-(dV)/(dT)$ negative delta V technique to determine when the battery is fully charged, which is typically two hours. With this technique, the charge state of the battery has no effect other than shortening the charge time.



Housed in a rugged enclosure, power enters the battery charger through a power entry module, which contains the fuses, or an optional cigarette lighter plug adapter. The front face of the battery charger displays LEDs that provide the operating status. The battery charger connects to the device being charged through a short cord terminated with a power jack.

An integrated circuit within the battery charger monitors the battery voltage and controls the charging functions according to the charge state of the battery.

Battery Life

The NiMH battery powering the battery-operated probe has high energy density for maximum operating time between charges, but also has a significant self-discharge characteristic. When the probe is stored for longer than a week or two, the battery will discharge even though not in use. Leaving the battery in a discharged condition for long periods of time may result in reduced battery life. For optimum testing time, charge the battery before use.

The battery charger is microprocessor controlled to charge the battery in the fastest possible manner. When the charger senses that the battery is fully charged, the charging current drops to a maintenance level. This level is sufficient to maintain the battery fully charged without causing battery damage. It is acceptable to leave the probe connected to the battery charger for extended periods of time.

With proper care, the battery should last two to three years. Follow these recommendations to ensure maximum battery life and optimum testing performance:

- Set the power switch on the probe to the **OFF** position when the probe is not in use. Leaving the power switch in the **ON** position for extended periods of time will damage the battery. When the battery is discharged, the flashing power **ON** indicator will not function.
- When possible, leave the probe connected to the battery charger, and the battery charger connected to the mains electrical supply (charger operating). The battery charger status indicators will show **CHARGER ON** and **COMPLETE** when the battery is on a maintenance charge.
- Operate the probe only within the optimum operating temperature range of +20°C to +30°C (+68°F to +86°F). Although NiMH batteries are rated for operation in temperatures from -20°C to +65°C (-4°F to +140°F), operating the probe at temperature extremes reduces the operating time of the batteries.
- Make sure the battery is fully charged before resuming operation. The battery does not require periodic deep discharges to reverse the effect caused by repeated shallow discharges, but undercharging can reduce battery capacity.

A fully charged battery (nominal output voltage of 4.8 VDC) provides up to 10 hours of operation. When the battery has discharged to 4.4 VDC, the probe will operate, but the battery will need to be charged. When the voltage drops below 4.0 VDC, measurement accuracy may be compromised by continued operation. When the battery voltage indication is less than four volts, a low battery indication is attached to the output data string warning of the problem. ETS-Lindgren software applications provide a warning indication on the display screen of the readout device. It is recommended that custom software packages using data from the probe monitor the data output for this condition.

If the battery exhibits low terminal voltages during charging, or if it appears unable to acquire or maintain a charge, individual cells in the battery may be shorted or damaged. If your battery needs replacement for any reason, contact ETS-Lindgren Customer Service.

Charging a Battery

For maximum battery life, fully charge the battery for the probe before placing the probe into service. Failing to fully charge the battery may result in reduced battery life and cause premature battery failure.

To charge a battery:

1. Make sure the power switch on the probe is set to the **OFF** position or the battery will not charge.
2. Connect the battery charger to the electrical mains, and then connect the charger output to the charger jack on the probe.



Caution: Never attempt to recharge a non-rechargeable battery.

CHARGING INDICATORS

The following LEDs are located on the front of the battery charger:

- **POWER ON** (green)—Indicates the battery charger is connected to the AC power source.
- **NO BATTERY** (amber)—Indicates the battery charger does not detect a battery.
- **PENDING** (amber)—Indicates the battery charger detects a battery.
Before fast charging can begin, the battery voltage must fall within predetermined acceptable limits. A pulse-trickle charge is provided to bring a depleted battery to a valid charge prior to fast charge.
- **CHARGING** (amber)—Indicates the voltage pre-qualification condition has been met, and fast charge has started.
Fast charging continues until termination by a peak voltage detect or a maximum charge time. For peak voltage detect, the fast charge is terminated when the battery voltage is lower than the previously measured values by 24mV. If a peak voltage is not detected, then the fast charge is terminated when the maximum time limit of 180 minutes is reached.
- **COMPLETE** (green)—Indicates a fast charging peak voltage is detected.
If the probe is turned on during the fast charge period of the charge cycle, the current surge that the battery provides to the electronics in the probe will cause a momentary voltage drop on the battery, causing the charger to terminate the fast charge based on a peak voltage detect condition.

The battery charger switches to top-off charge mode that provides a charge current one-eighth of the fast charge rate. This charge continues from the time when a peak voltage detect terminates the fast charge, until the maximum time of 180 minutes is reached. If the probe is disconnected from the charger at this point in the charge cycle, the battery will operate properly.

Following the maximum time of 180 minutes, a pulse-trickle charge mode is used to compensate for the self-discharge of the battery while idle in the charger.

The batteries are small, and the fast charge current is low. The fast charge current is low enough that there is not always enough heating of the battery cells to cause the voltage to drop. With no voltage drop there is no peak voltage detection, and the fast charge will terminate after the maximum time of 180 minutes is reached.

SYNCHRONIZING THE BATTERY CHARGE INDICATOR

The probe has internal circuitry to track the charge condition of the battery. NiMH batteries have a sharp discharge-curve knee, which means there is little indication that the battery is nearly discharged prior to a low battery condition. The internal circuitry tracks the charging and discharging currents of the battery and displays the calculated battery condition.

It is possible that the battery charge indication may lose synchronization with the actual battery condition. A loss of synchronization may be indicated by a low battery charge alert after the battery was recently fully charged. Loss of synchronization may also be indicated by short battery life and premature low battery alert.

To synchronize the battery charge indicator:

1. Make sure the power switch on the probe is set to the **OFF** position or the battery will not charge.
2. Connect the battery charger to the electrical mains, and then connect the charger output to the charger jack on the probe.
3. Press the **DISCHARGE** button on the battery charger. The battery will fully discharge, and then fully recharge. The total time required to discharge and recharge is approximately seven hours.
4. For best results, repeat the process once. However, it may be necessary to repeat the process three times for proper synchronization. The synchronization process may take up to 12 hours.

When completely charged, the battery indicator for the probe should indicate a charge level of more than 90%.

DISCHARGING A BATTERY

To discharge a battery:

1. Make sure the power switch on the probe is set to the **OFF** position or the battery will not charge.
2. Connect the battery charger to the electrical mains, and then connect the charger output to the charger jack on the probe.
3. Press the **DISCHARGE** button on the battery charger. The battery will fully discharge, and then fully recharge. The total time required to discharge and recharge is approximately seven hours.

Battery Charger Specifications

The battery charger may be powered by standard line voltage (110–240 VAC, 50–60 Hz) or by an optional automobile cigarette lighter plug (12.5 VDC).

NiMH Battery:	<ul style="list-style-type: none">• 4.8 volt 4 cell NiMH Battery, 25 mA (rapid charge cells, 1.2 volts/cell)• ETS-Lindgren Part #H-491193
Power	
Main:	IEC filtered AC power input module 110-240 VAC, 500 mA max, 50-100 Hz
Alternate:	Automobile cigarette lighter to 2 mm power plug adapter cord, 12.5 Vdc, 100 mA
Fuses:	250 volt, 1.0 Amp, Type T (5 mm x 20 mm)

Output	
Open Circuit Voltage:	12 Vdc
Fast Charge Pending Current:	2.0 mA
Fast Charge Current:	25 mA
Pulsed Trickle Charge Current:	2.0 mA
Output Voltage (During Fast Charge):	4–8 Vdc
Environmental	
Operating Temperature:	10°C to 40°C 50°F to 104°F
Humidity:	5% to 95% relative humidity, non-condensing

Maintenance Recommendations

- Operate the battery charger with care.
- There are no user serviceable parts inside the battery charger. Opening the battery charger housing may void your warranty.

REPLACING THE FUSE

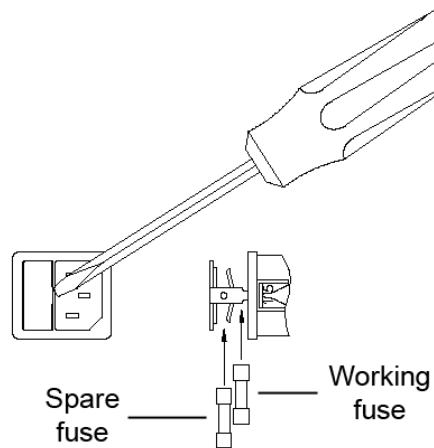


Caution: Disconnect the battery charger from power before replacing a fuse.

If the battery charger fails to operate, check for a blown fuse inside the power entry module. A blown fuse must be replaced with the same value and type of fuse, or an unsafe condition may result. Use only 250 Volt, 1.0 Amp, Type T (5 mm x 20 mm) fuses.

To replace a fuse:

1. Two fuses are located in the fuse drawer in the power input module. Use a screwdriver to open the drawer.
2. The fuse towards the outside of the drawer is the spare. Remove the spare fuse from the module.



3. Replace the blown fuse with the spare fuse.
4. Slide the fuse drawer back into the module. Make sure that the drawer snaps securely into its locked position.

Appendix D: Operating Protocols



Note: The information in this section is subject to change, and is included for reference only. ETS-Lindgren recommends that you use the commands and information provided in *ETSProbe DLL User Guide* on page 99.

The following information assumes that the HI-6113 Laser Data Interface (LDI), HI-4413P Fiber Optic Modem, or HI-4413USB Fiber Optic to USB Converter was purchased and is communicating directly with the probe.

Communication Protocol

HI-61XX SERIES LASERPRO FIELD PROBES

Data Type:	RS-232 Serial
Data Mode:	Asynchronous
Word Length:	8 bit
Parity:	N
Stop Bits:	1
Data Rate:	115,200 baud

HI-60XX SERIES BATTERY-OPERATED FIELD PROBES

Data Type:	RS-232 Serial
Data Mode:	Asynchronous
Word Length:	7bit
Parity:	Odd
Stop Bits:	1
Data Rate:	9600 baud

Information Transfer Protocol

The probe responds to commands from another device; it transmits no data without first receiving instructions to do so.

COMMAND STRUCTURE

See the following pages for detailed information regarding the command structure to the probe. When the probe completes the command, it responds with a string consisting of:

- A start character (":")
- The command letter
- Data (if required)
- <CR> (a carriage return)

If the command does not require the probe to return any data, the probe simply responds with the start character (":") then the command letter and a carriage return. If an error occurs, the probe responds with an error code.

Probe Commands

All probe commands return **:E7** when the probe is turned off.

HI-61XX SERIES LASERPRO FIELD PROBES

Probe Command	Description	Probe Response
B<CR>	Read probe converter voltage	:Bxx.xx<CR>
BP	Read probe converter voltage in hexadecimal format	:B64N <ul style="list-style-type: none"> • N=safe operating level • F=fail level Voltage reported as 0–64; 64 corresponds to 100%



Note: The **BP** command is provided for backward compatibility and should not be used to monitor the converter voltage, which always responds with **:B64N<CR>**.

Probe Command	Description	Probe Response
D3	Read probe data	:Dx.xxxyy.yyzzz.zB<CR> <ul style="list-style-type: none"> • xxxx, yyyy, zzzz= 4-digit axis values with floating decimal point • B=battery flag, N or F

Probe Command	Description	Probe Response
D5	Read probe data	:Dx.xxyy.yyzz.zcccc.B<CR> <ul style="list-style-type: none"> • xxxx, yyyy, zzzz= 4-digit axis values with floating decimal point • cccc=composite field value with floating decimal point • B=battery flag, N or F
I	Identification command	:I61XX<sr><sn><cd>B<CR> <ul style="list-style-type: none"> • XX=specific probe model • sr=10-character software revision • sn=8-character serial number • cd=8-character calibration date • B=battery flag, N or F



Note: The Identification command, I, may also be used as the first command sent. The command will turn on the laser. Once communication between the probe and the Laser Data Interface (LDI) is established, the return string will be sent. Subsequent I commands immediately send the return string.

Probe Command	Description	Probe Response
TC	Read temperature in Centigrade	:Txxx.<CR>
TF	Read temperature in Fahrenheit	:Txxx.<CR>

Probe Command	Description	Probe Response
<Null><CR>	Send the ASCII null character	:N<CR>



Note: <Null><CR> is a special command that can be used as the initial command to the probe **after** it is turned on.

HI-60XX SERIES FIELD PROBES

Probe Command	Description	Probe Response
B<CR>	Read battery voltage	<p><i>:Bxx.xx<CR></i></p> <ul style="list-style-type: none"> <i>:B04.80</i> =100% of charge =4.8 volts <i>:B04.00</i> =0% of charge =4.0 volts
BP	Read battery capacity in percentage	<p><i>Bxx<N or F><CR></i></p> <ul style="list-style-type: none"> <i>:B64N</i> =100% of charge =4.8 volts <i>:B00F</i> =0% of charge =4.0 volts <i>N</i>=safe operating level <i>F</i>=fail level <p>Percentage reported in hexadecimal, 0% to 64%</p>



Note: The **BP** command is provided for backward compatibility and should not be used to monitor the converter voltage, which always responds with *:B64N<CR>*.

Probe Command	Description	Probe Response
D3	Read probe data	:Dx.xxxxyy.yyzzz.zB<CR> <ul style="list-style-type: none"> • xxxx, yyyy, zzzz= 4-digit axis values with floating decimal point • B=battery flag, N or F
D5	Read probe data	:Dx.xxxxyy.yyzzz.zcccc.B<CR> <ul style="list-style-type: none"> • xxxx, yyyy, zzzz= 4-digit axis values with floating decimal point • cccc=composite field value with floating decimal point • B=battery flag, N or F
I	Identification command	:I60XX<sr><sn><cd>B<CR> <ul style="list-style-type: none"> • XX=specific probe model • sr=10-character software revision • sn=8-character serial number • cd=8-character calibration date • B=battery flag, N or F



Note: The Identification command, I, may also be used as the first command sent. The command will turn on the laser. Once communication between the probe and the Laser Data Interface (LDI) is established, the return string will be sent. Subsequent I commands immediately send the return string.

Probe Command	Description	Probe Response
TC	Read temperature in Centigrade	:Txxx.<CR>
TF	Read temperature in Fahrenheit	:Txxx.<CR>
<Null><CR>	Send the ASCII null character	:N<CR>



Note: <Null><CR> is a special command that can be used as the initial command to the probe **after** it is turned on.

HI-6113 Laser Data Interface Commands

LDI Command	Description	Probe Response
i	Laser data interface identification string	<i>:i6113<sr><sn><CR></i> <ul style="list-style-type: none"> <i>sr</i>=10-character software revision <i>sn</i>=8-character serial number
n	Read laser current	<i>:nx.xxx.<CR></i>
o	Laser OFF command	<i>:o</i> The laser and all LEDs except the green Power LED will turn off
r	Laser ON command	<i>:r</i> The blue Laser LED will illuminate immediately, then the yellow Receive LED will illuminate a few seconds after, indicating the probe is ready for operation



Note: The Laser ON command, **r**, should be the first command sent.

LDI Command	Description	Probe Response
tc	Read temperature in Centigrade	<i>:txxxx.<CR></i>
tf	Read temperature in Fahrenheit	<i>:txxxx.<CR></i>

Probe Error Output

If an error occurs, the probe will respond with one of the following strings. These strings begin with a colon and end with a carriage return.

- E1 Communication error (for example, overflow)
- E2 Buffer full error; too many characters contained between the start character and carriage return sequence
- E3 Received command is invalid
- E4 Received parameter is invalid
- E5 Hardware error (for example, EEPROM failure)
- E6 Parity error
- E7 Probe commands are not available unless the probe is powered on. To power on the probe, send the Laser ON command, **r**. For more information on the **r** command, see page 97.
- E9 Received command is invalid

Appendix E: ETSProbe DLL User Guide

The **ETS-Lindgren ETSProbe DLL** allows users to communicate with one or more supported ETS-Lindgren field probes. The main deliverable consists of a Microsoft® Windows® Dynamic Link Library (DLL) that can be called by a wide variety of programming languages.

ETSProbe DLL is intended for users who want to integrate ETS-Lindgren probes into their own software system.

About Redistribution

Redistribution and use in source and binary forms, with or without modification, are permitted provided the following conditions are met:

- Redistributions of source code must retain the ETS-Lindgren copyright notice, this list of conditions, and the following disclaimer.
- Redistributions in binary form must reproduce the ETS-Lindgren copyright notice, this list of conditions, and the following disclaimer in the documentation and/or other materials provided with the distribution.

(Disclaimer) Neither the name ETS-Lindgren nor the names of its contributors may be used to endorse or promote products derived from this software without specific prior written permission.

Getting Started

1. Download ETSProbe DLL from ets-lindgren.com.
2. Install ETSProbe DLL using the included automatic installer.

During installation (provided the installation path is not altered), an assortment of example programs in various languages will be copied to C:\Program Files\ETS-Lindgren\ETSProbe DLL\examples.
3. Create your new program or adapt your existing program to interface with ETSProbe DLL.

DLL Function Calling Conventions

1. The function call stack/style is the WinAPI style. This allows the widest variety of users to be able to call these functions.
2. The functions take and return only basic types of arguments (32 bit integer, floating point values, and simple c-style zero terminated strings).
3. All outbound string parameters are allocated by the caller and are followed in the argument list by a maximum string length integer parameter.
4. For the same reason, the functions do not take in or send out any object style parameters.
5. All functions have an integer return value such that 0 will signify successful completion. All other values that can be returned are function-specific.

Supported Probes and Communications Protocols

Probe families HI-Any and FP-Any are probe-type detectors. These detector-probe types can be used in most cases without specifying the exact probe family. There are a few other families that offer higher data sample rates. By default all probes are put into auto range. The following table lists the probe families that can be used with each probe model.

Model	Family Strings
FP1000	FP-Any HI-44xx MS
FP2000	FP-Any
FP2031	FP-Any
FP2033	FP-Any
FP2036	FP-Any
FP2080	FP-Any

Model	Family Strings
FP2083	FP-Any
FP2103	FP-Any
FP2130	FP-Any
FP3000A	
FP3001	
FP3080A	
FP3083	
FP4000	FP-Any HI-44xx MS
FP4031	FP-Any HI-44xx MS
FP4033	FP-Any HI-44xx MS
FP4080	FP-Any HI-44xx MS
FP4083	FP-Any HI-44xx MS
FP4240	FP-Any HI-44xx MS
FP5000	FP-Any HI-44xx MS
FP5033	FP-Any HI-44xx MS
FP5034	FP-Any HI-44xx MS
FP5036	FP-Any HI-44xx MS
FP5080	FP-Any HI-44xx MS
FP5083	FP-Any HI-44xx MS
FP5240	FP-Any HI-44xx MS

Model	Family Strings
FP6001	FP-Any HI-44xx MS
HI-2200 C300	
HI-2200 C310	
HI-2200 E100	
HI-2200 H200	
HI-2200 H210	
HI-3603	
HI-3604	
HI-3638	HI-Any HI-44xx MS
HI-3702	HI-Any HI-44xx MS
HI-4417	
HI-4421	HI-Any HI-44xx MS
HI-4421G	HI-Any HI-44xx MS
HI-4422	HI-Any HI-44xx MS
HI-4431-HCH	HI-Any HI-44xx MS
HI-4431-HSE	HI-Any HI-44xx MS
HI-4431-MSE	HI-Any HI-44xx MS
HI-4431-STE	HI-Any HI-44xx MS
HI-4433-CH	HI-Any HI-44xx MS
HI-4433-GRE	HI-Any HI-44xx MS

Model	Family Strings
HI-4433-HCH	HI-Any HI-44xx MS
HI-4433-HSE	HI-Any HI-44xx MS
HI-4433-LFH	HI-Any HI-44xx MS
HI-4433-STE	HI-Any HI-44xx MS
HI-4450	HI-Any HI-44xx MS
HI-4451	HI-Any HI-44xx MS
HI-6005	HI-Any HI-6005 MS HI-6005 HS HI-6005
HI-6006	HI-Any HI-6005 MS HI-6005 HS HI-6005
HI-6022	HI-Any HI-6005 MS HI-6005 HS HI-6005
HI-6023	HI-Any HI-6005 MS HI-6005 HS HI-6005
HI-6053	HI-Any HI-6005 MS HI-6005 HS HI-6005
HI-6105	HI-Any Laser HS Laser
HI-6153	HI-Any Laser HS Laser

PROBE FAMILY HI-ANY (AUTO PROBE DETECTOR)

Automatically detects most ETS-Lindgren Holaday probes, as listed in the following:



Note: Baud rates are at 9600 and 115.2 K for the laser models.

- FP5000 Series
- FP4000 Series
- HI-6000 Series
- HI-6100 Series
- HI-4433 Series
- HI-4450 Series

PROBE FAMILY FP-ANY (AUTO PROBE DETECTOR FP)

Automatically detects most ETS-Lindgren Holaday probes, as listed in the following:



Note: Use this type to initialize all FP-series probes.

- FP2000 Series
- FP4000 Series
- FP5000 Series
- FP6001

PROBE FAMILY VIRTUAL

This simulated probe type is for testing and software development purposes. Varying field values are generated using a *sin* function.

PROBE FAMILY HI-44xx MS

Use this type to obtain higher sample rates on 3-axis probes. This type does not return individual field readings for each axis.

FP5080	HI-4450	FP4080
FP5000	FP5240	FP4083
FP5033	HI-4451	FP4240
FP5034	HI-4453	HI-4422
FP5036	HI-4455	HI-4433-GRE
FP5055	HI-4456	HI-4433-HSE
FP5083	HI-4457	HI-4433-MSE
FP4031	FP4000	HI-4433-STE

PROBE FAMILY HI-6005 MS (MEDIUM SPEED)



Note: Baud rate at 9600. Sample rates exceed 30 samples/second.

- FP6001
- HI-6005, HI-6006, HI-6023
- HI-6053

PROBE FAMILY HI-6005 HS (HIGH SPEED)



Note: Baud rate at 19200. Sample rates exceed 50 samples/second.

- FP6001
- HI-6005, HI-6006, HI-6023
- HI-6053

PROBE FAMILY LASER HS (HIGH SPEED)



Note: Baud rate at 115200. Laser-powered probes through USB port. Sample rate can exceed 100 samples/second.

- HI-6105
- HI-6153

PROBE TYPES NOT SUPPORTED

- HI-3603
- HI-3604
- HI-2200

Quick Start Function Reference

ETS_CREATEPROBE()

```
int ETS_CreateProbe(const char *name, int &Handle, const char  
*CommSettings, const char *Family);
```

Purpose: Creates a probe object and establishes communications to a specified probe.

- Makes an object of the correct type.
- Verifies that the communications to the probe can be established.
- Does a probe identify and an initialization of the probe.

Return Value: Returns an integer status code. The numeric value **0** indicates successful completion.
See *Status Codes* on page 110 for error code description.

Input Parameters:

Case sensitive strings must be used.

char **CommSettings**

```
ASRL1::INSTR /Comm Port 1  
Com1  
Com2  
etc.
```

char **Family**

```
HI-Any  
FP-Any  
HI-44xx MS  
HI-6005 MS  
HI-6005 HS  
Laser HS  
Virtual
```

In most cases HI-Any and FP-Any will communicate with both HI and FP models. The exception is that HI-Any must be used to communicate with laser probe models and FP-Any must be used with the FP2000-Series probe models.

Use HS types High Speed for higher sample rates. The HI-44xx HS family does not return individual data from each axis, but does increase the sample rate.

char **name**

```
Any user specified name  
myProbe  
Etc.
```

Output Parameters: `int * Handle`
Special value used to refer to this probe for subsequent function calls after it is created.

Returns: Returns an integer status code. The numeric value **0** indicates successful completion.
See *Status Codes* on page 110 for error code description.

ETS_READFIELDSYNCHRONOUS()

```
int ETS_ReadFieldSynchronous(int Handle, float &XField, float  
&YField, float &ZField, float &XYZField);
```

- Purpose:** Takes a single field reading of all axes. The function does not return until all data is captured and processed. Ranging is handled automatically provided **ETS_Range** has not been set.
- Return Value:** Returns an integer status code. The numeric value **0** indicates successful completion.
See *Status Codes* on page 110 for error code description.
- Input Parameters:** int probeHandle
As returned from **ETS_CreateProbe** function.
- Output Parameters:** Pass-by-reference float: The field values for the X, Y, Z, and combined axes.

ETS_REMOVEPROBE()

```
int ETS_RemoveProbe(const int probeHandle);
```

- Purpose:** Closes the communications port and releases memory back to the system.
The **ETS_RemoveProbe** function needs to be called whenever a probe is changed or physically removed.
- Return Value:** Returns an integer status code. The numeric value **0** indicates successful completion.
See *Status Codes* on page 110 for error code description.
- Input Parameters:** `int probeHandle`
As returned from **ETS_CreateProbe** function.
- Output Parameters:** None.

Advanced Function Reference

ETS_BATTERY()

```
int ETS_Battery(const int probeHandle, int &Batt);
```

- Purpose:** To obtain the battery status as a percentage of full charge. The **ETS_InitiateReadBattery** function must be called prior to this call. This function returns a fresh battery reading after each **ETS_InitiateReadBattery** command.
- Return Value:** Returns an integer status code. The numeric value **0** indicates successful completion.
See *Status Codes* on page 110 for error code description.
- Input Parameters:** int probeHandle
As returned from **ETS_CreateProbe** function.
- Output Parameters:** Pass-by-reference integer: The battery value as a percentage of full charge.

ETS_CALIBRATIONDATE()

```
int ETS_CalibrationDate(const int probeHandle, char  
*calibrationDate, const int arraySize);
```

- Purpose:**
- Returns the last calibration date for the probe.
 - Not available on older probes.
- Return Value:** Returns an integer status code. The numeric value **0** indicates successful completion.
See *Status Codes* on page 110 for error code description.
- Input Parameters:** int probeHandle
As returned from **ETS_CreateProbe** function.
- Output Parameters:** Pass-by-reference string:
calibrationDate specifying the length of string.

ETS_COMBINEDFIELD()

```
int ETS_CombinedField(const int probeHandle, float &XYZField);
```

- Purpose:** Returns the total combined field of the X, Y, and Z axes.
- Return Value:** Returns an integer status code. The numeric value **0** indicates successful completion.
See *Status Codes* on page 110 for error code description.
- Input Parameters:** int probeHandle
As returned from **ETS_CreateProbe** function.
- Output Parameters:** Pass-by-reference float: The combined fields of X, Y, and Z axes.

ETS_FIELD()

```
int ETS_Field(const int probeHandle, float &xField, float  
&yField, float &zField, float &combinedField);
```

- Purpose:** To read the field values from the X-axis, Y-axis, Z-axis, and the combined field. This function must follow an **ETS_InitiateReadField** command. You can poll **ETS_IsOperationComplete** to determine when **ETS_InitiateReadField** is finished.
- Return Value:** Returns an integer status code. The numeric value **0** indicates successful completion.
See *Status Codes* on page 110 for error code description.
- Input Parameters:** int probeHandle
- Output Parameters:** Pass-by-reference float: Returns the X, Y, Z, and combined field data.

ETS_FIRMWARE()

```
int ETS_Firmware(const int probeHandle, char *firmware, const  
int arraySize);
```

- Purpose:** To obtain the firmware version for the probe.
- Return Value:** Returns an integer status code. The numeric value **0** indicates successful completion.
See *Status Codes* on page 110 for error code description.
- Input Parameters:** int probeHandle
As returned from **ETS_CreateProbe** function.
- Output Parameters:** Pass-by-reference character string: Specifying the length of string.

ETS_GETERRORDESCRIPTION()

```
void ETS_GetErrorDescription(int errorNumber, char *ErrorStr,  
const int arraySize);
```

- Purpose:** To obtain a written description of an error that has occurred.
- Return Value:** None.
- Input Parameters:**
- int probeHandle
As returned from **ETS_CreateProbe** function.
 - int arraySize
- Output Parameters:** Pass-by-reference character string: Specifying the length of string.

ETS_GETUNITSSTRING()

```
int ETS_GetUnitsString(const int probeHandle, char *UnitsStr,  
const int arraySize);
```

Purpose: To obtain the current field units setting for the probe.

Return Value: Returns an integer status code. The numeric value **0** indicates successful completion.
See *Status Codes* on page 110 for error code description.

Input Parameters:

- `int probeHandle`
As returned from **ETS_CreateProbe** function.
- `int arraySize`

Output Parameters: Pass-by-reference character string:
`UnitsStr` specifying the length of string.

ETS_INITIATEREADBATTERY()

```
int ETS_InitiateReadBattery(const int probeHandle);
```

- Purpose:** Initiates a reading of the battery as a percentage of full charge. The function returns immediately without waiting for the operation finish.
- To determine when the command is finished, use **ETS_IsOperationComplete**. When the reading is complete, use **ETS_Battery** to obtain the value.
- Return Value:** Returns an integer status code. The numeric value **0** indicates successful completion.
- See *Status Codes* on page 110 for error code description.
- Input Parameters:** `int probeHandle`
As returned from **ETS_CreateProbe** function.
- Output Parameters:** None.

ETS_INITIATEREADFIELD()

```
int ETS_InitiateReadField(const int probeHandle);
```

- Purpose:** Initiates a field reading from the probe. The function returns immediately without waiting for the operation finish.
- To determine when the operation is finished, use **ETS_IsOperationComplete**. When the reading is completed use **ETS_Field** or **ETS_CombinedField** to obtain the field values.
- The default field units are V/m or A/m.
- Return Value:** Returns an integer status code. The numeric value **0** indicates successful completion.
- See *Status Codes* on page 110 for error code description.
- Input Parameters:** `int probeHandle`
As returned from **ETS_CreateProbe** function.
- Output Parameters:** None.

ETS_INITIATEREADTEMPERATURE()

```
int ETS_InitiateReadTemperature(const int probeHandle);
```

Purpose: Initiates a reading of the internal temperature of the probe. The function returns immediately without waiting for the operation finish.

To determine when the operation is finished, use **ETS_IsOperationComplete**. When the reading is completed use **ETS_TemperatureC** to obtain the value.

Return Value: Returns an integer status code. The numeric value **0** indicates successful completion.

See *Status Codes* on page 110 for error code description.

Input Parameters: `int probeHandle`

As returned from **ETS_CreateProbe** function.

Output Parameters: None.

ETS_IsOPERATIONCOMPLETE()

```
int ETS_IsOperationComplete(const int probeHandle);
```

Purpose: Used with commands that start with the word **Initiate** to determine when an operation is finished.

Return Value: Returns an integer status code. The numeric value **0** indicates successful completion.
See *Status Codes* on page 110 for error code description.

Input Parameters: int probeHandle
As returned from **ETS_CreateProbe** function.

Output Parameters: None.

ETS_MODEL()

```
int ETS_Model(const int probeHandle, char *model, const int  
arraySize);
```

- Purpose:** Returns the probe model identification information.
- Return Value:** Returns an integer status code. The numeric value **0** indicates successful completion.
See *Status Codes* on page 110 for error code description.
- Input Parameters:** int probeHandle
As returned from **ETS_CreateProbe** function.
- Output Parameters:** The model name is placed in the user allocated string buffer.

ETS_PROBENAME()

```
int ETS_ProbeName(const int probeHandle, char *name, const int  
arraySize);
```

- Purpose:** Allows the user to read the user-assigned-name.
- Return Value:** Returns an integer status code. The numeric value **0** indicates successful completion.
See *Status Codes* on page 110 for error code description.
- Input Parameters:** int probeHandle
As returned from **ETS_CreateProbe** function.
- Output Parameters:** The probe name is placed in the user allocated string buffer.

ETS_READBATTERYSYNCHRONOUS()

```
int ETS_ReadBatterySynchronous(int Handle, int &battery);
```

Purpose: Reads the battery status of the probe and returns only after the probe has responded or a timeout has occurred.

Return Value: Returns an integer status code. The numeric value **0** indicates successful completion.
See *Status Codes* on page 110 for error code description.

Input Parameters: `int probeHandle`

Output Parameters: **Int battery:** The battery status as the percentage of full charge.

ETS_READTEMPERATURESYNCHRONOUS()

```
int ETS_ReadTemperatureSynchronous(int Handle, int  
&temperature);
```

- Purpose:** Reads the internal temperature of the probe and returns only after the probe has responded or a timeout has occurred.
- Return Value:** Returns an integer status code. The numeric value **0** indicates successful completion.
See *Status Codes* on page 110 for error code description.
- Input Parameters:** `int probeHandle`
- Output Parameters:** **Int temperature:** The probe internal temperature in degrees Celsius.

ETS_SERIALNUMBER()

```
int ETS_SerialNumber(const int probeHandle, char *serialNumber,  
const int arraySize);
```

- Purpose:** Returns the serial number of the probe.
- Return Value:** Returns an integer status code. The numeric value **0** indicates successful completion.
See *Status Codes* on page 110 for error code description.
- Input Parameters:** `int probeHandle`
- Output Parameters:** Pass-by-reference character string `serialNumber`:
Specify the length of string.

ETS_SETRANGE()

```
int ETS_SetRange(const int probeHandle, int range);
```

- Purpose:** Sets the range for the probe. The default value is **0**, which is in Auto Range. The number of ranges is probe-dependent.
- Return Value:** Returns an integer status code. The numeric value **0** indicates successful completion.
See *Status Codes* on page 110 for error code description.
- Input Parameters:** `int probeHandle`
Int range: Accepts values 0–5.
- Output Parameters:** None.

ETS_SETUNITS()

```
int ETS_SetUnits(const int probeHandle, int Unit);
```

- Purpose:** Switches the field units for the probe. The available units are probe-dependent. Consult the probe user manual for more information.
- Return Value:** Returns an integer status code. The numeric value **0** indicates successful completion.
See *Status Codes* on page 110 for error code description.
- Input Parameters:** int probeHandle
Int unit: Accepts values 1–3.
- Output Parameters:** None.

ETS_TEMPERATUREC()

```
int ETS_TemperatureC(const int probeHandle, int &TempC);
```

- Purpose:** Reads the internal temperature of the probe. **ETS_InitiateReadTemperature** must be called prior to this function call. Use the **ETS_IsOperationComplete** to check for operation completion.
- Return Value:** Returns an integer status code. The numeric value **0** indicates successful completion.
See *Status Codes* on page 110 for error code description.
- Input Parameters:** `int probeHandle`
- Output Parameters:** Pass-by-reference integer that is the temperature of the probe in degrees Celsius.

ETS_LASERCURRENT()

```
int ETS_LaserCurrent(int Handle, float &current);
```

- Purpose:** Reads the laser current of the probe.
ETS_ReadBattery must be called to refresh this value.
- Return Value:** Returns an integer status code. The numeric value **0** indicates successful completion.
See *Status Codes* on page 110 for error code description.
- Input Parameters:** int probeHandle
- Output Parameters:** The laser current of the probe in amps.

ETS_VERSION()

```
int ETS_Version(char *version, const int arraySize);
```

- Purpose:** Identifies the version of ETSProbe DLL.
- Return Value:** Returns an integer status code. The numeric value **0** indicates successful completion.
See *Status Codes* on page 110 for error code description.
- Input Parameters:** None.
- Output Parameters:** A character string that represents the version of ETSProbe DLL.

ETS_SUPPLYVOLTAGE()

```
int ETS_SupplyVoltage(int Handle, float &voltage);
```

Purpose: Monitors the converter voltage of the laser. In addition the battery voltage of the probe is accessible through this function. **ETS_ReadBattery** function must be called to refresh this value.

Return Value: Returns an integer status code. The numeric value **0** indicates successful completion.
See *Status Codes* on page 110 for error code description.

Input Parameters: `int probeHandle`

Output Parameters: The converter voltage or battery voltage.

ETS_LASERTEMPERATURE()

```
int ETS_LaserTemperature(int Handle, float &degreesC);
```

- Purpose:** Monitors the laser temperature.
ETS_ReadTemperature must be called to refresh this value.
- Return Value:** Returns an integer status code. The numeric value **0** indicates successful completion.
See *Status Codes* on page 110 for error code description.
- Input Parameters:** int probeHandle
- Output Parameters:** Outputs the temperature of the laser in degrees Celsius.

ETS_ZEROPROBE()

```
int ETS_ZeroProbe(int Handle);
```

- Purpose:** Zeros older style probes; has no effect on the HI-6000 Series probes.
- Return Value:** Returns an integer status code. The numeric value **0** indicates successful completion.
See *Status Codes* on page 110 for error code description.
- Input Parameters:** `int probeHandle`
- Output Parameters:** None.

Status Codes

A description of the status code can be returned by calling the function **ETS_GetErrorDescription**. See *Advanced Function Reference* on page 113 for the description of the function call.

Codes	Description
0	OK
1	Probe handle does not exist
2	Probe family does exist
3	Unable to open communication port
4	Probe not connected
5	Probe response incorrect
6	Operation timeout
7	Busy
8	Probe object does not exist
9	Probe did not respond
10	Probe out of range
11	Invalid input parameter
12	Probes internal gain setting incorrect (cycle power)
13	Error in closing the COMM port
14	Unable to purge COMM port
15	COMM port error
16	Error in writing to COMM port
17	Error in reading from COMM port
18	Laser current too high

Codes	Description
19	Internal thread error
20	Bad connection string
21	Value cannot be set
22	Probe model not supported
23	Unable to open file
24	Coefficients do not match
25	Coefficients file error
26	Probe over range
27	Probe under range
28	Function not available
29	Battery fail
30	Battery warning
31	Correction not loaded
32	Out of correction range
33	Correction not supported

This page intentionally left blank.

Appendix F: EC Declaration of Conformity

The EC Declaration of Conformity is the method by which ETS-Lindgren, L.P. declares that the equipment listed on this document complies with the EMC Directive and Low Voltage Directive.

Factory

ETS-Lindgren, L.P.
1301 Arrow Point Drive
Cedar Park, TX, USA 78613

Issued by

ETS-Lindgren, L.P.
1301 Arrow Point Drive
Cedar Park, TX, USA 78613

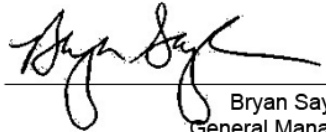
The products listed below are eligible to bear the CE mark:

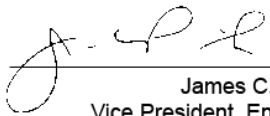
- **HI-6122 Electric Field Probe**
- **HI-6105 Electric Field Probe**
- **HI-6153 Electric Field Probe**
- **HI-6023 Field Probe**
- **HI-6006 Field Probe**
- **HI-6053 Field Probe**

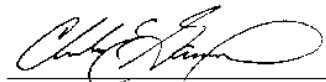
Applicable Requirements

<u>Standard</u>	<u>Criteria</u>
EN 50082-1	– Electromagnetic compatibility – General immunity standard – Part 1: Domestic commercial and light-industrial environment
EN 55011	– CISPR 11 (1990) ed.2 – Threshold values and measuring methods for radio interference by HF equipment for industrial scientific and medical purposes
EN 61010-1	Safety requirements for electrical equipment for measurement, control and laboratory use

AUTHORIZED SIGNATORIES


Bryan Saylor,
General Manager


James C. Psencik,
Vice President, Engineering


Charles Garrison,
Quality Assurance

The authorizing signatures on the EC Declaration of Conformity document authorize ETS-Lindgren, L.P. to affix the CE mark to the indicated product. CE marks placed on these products will be distinct and visible. Other marks or inscriptions liable to be confused with the CE mark will not be affixed to these products. ETS-Lindgren, L.P. has ensured that appropriate documentation shall remain available on premises for inspection and validation purposes for a period of no less than 10 years.