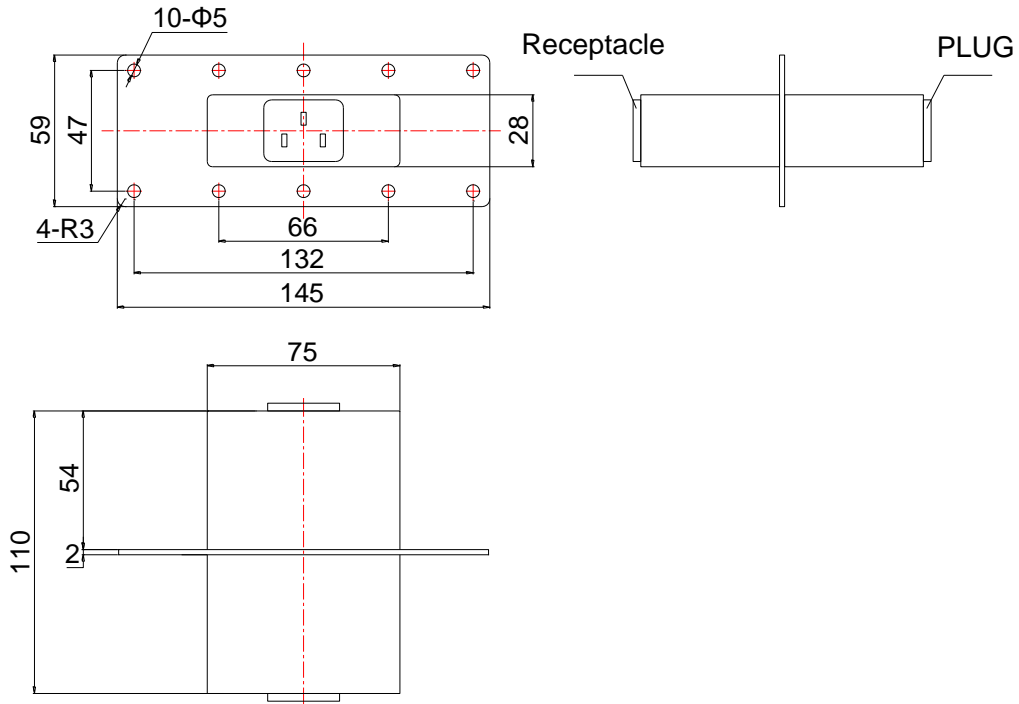


# Power Line EMI Filter

1. Type: PF206-15

2. Dimensions: (mm)



3. Technical Data:

- ① Rated Voltage: 250VAC/500VDC
- ② Rated Voltage: 15A
- ③ Shielding Effectiveness:  $\geq 100\text{dB}$ , 10MHz~10GHz
- ④ Climatic Category: 25/085/21

4. Installation Diagram:

