

## TECHNICAL SPECIFICATION EMKA Gaskets

### Description:

These self-locking type gaskets are in various sections according to the standards available.

These profiles are clad in a polyester fabric with a Nickel based electrochemical treatment for the basic properties that are here summarised:

- Electric conductivity and electromagnetic shielding.
- Elevated resistance to friction and corrosion.

### Applications

These are utilised for the shielding of electrical and telecommunications lockers, etc., above all when there is an interlocking attachment system, in the same way that the same non-conductive gaskets are used.

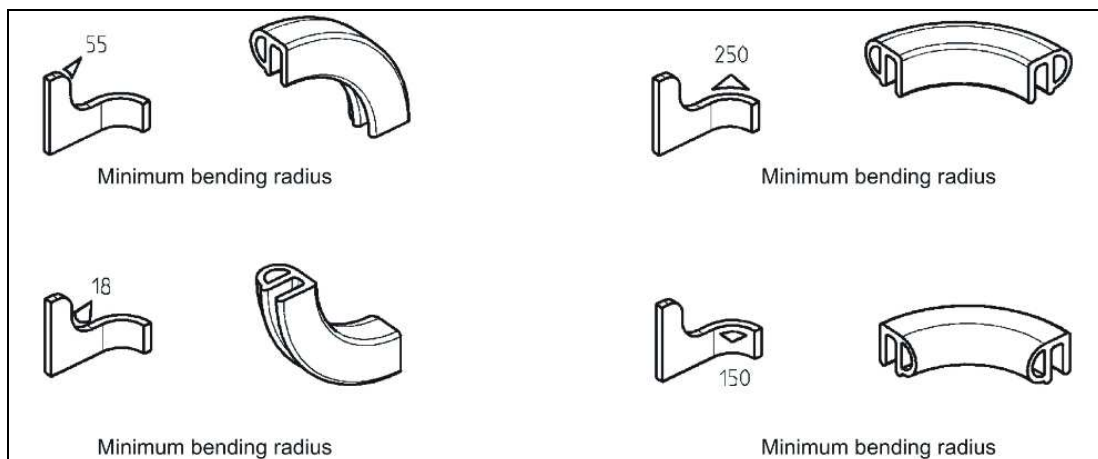
### Provision

In spools, in pieces cut to size or in thermally welded frames as per client plans, ready for installation.

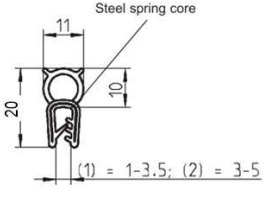


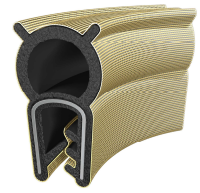
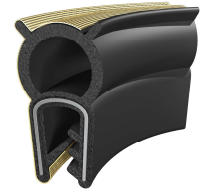
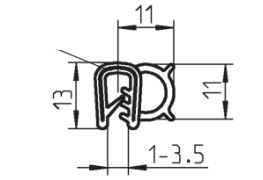
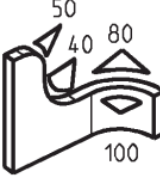

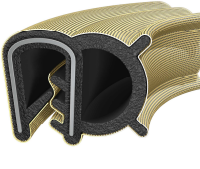
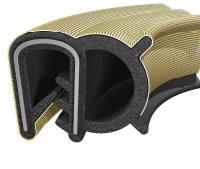
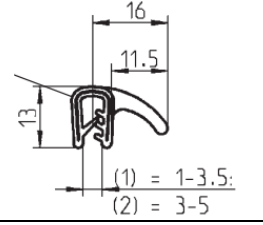
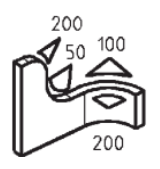

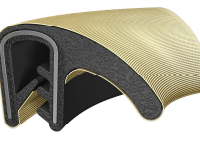
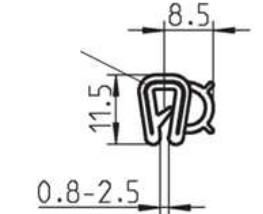
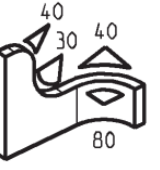



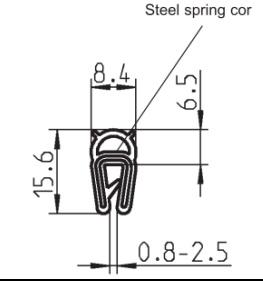



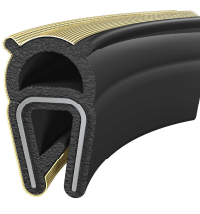
### PART NUMBER FOMULATION

Example: 1011-05-E.SC

### 1. Section Type



**How to read column 2 - Bending Radius**

|   |   |   |  |   |
|---|---|---|--|---|
|    |    |    |    |    |
| <b>1011-05</b>  |   | 1011-05 (40.0077)   | 1011-05-E-SC (30.0070)   | 1011-05-E-HSC (30.0804)   |
|    |    |    |    |    |
| <b>1011-06</b>  |   | 1011-06 (40.0081)   | 1011-06-E-SC (30.0069)   | 1011-06-E-HSC (30.1800)   |
|   |   |   |   |   |
| <b>1011-08</b>  |   | 1011-08 (40.0083)   | 1011-08-E-SC (30.0152)   |   |
|  |  |  |  |  |
| <b>1011-09</b>  |   | 1011-09 (40.5453)   | 1011-09-E-SC (30.0059)   | 1011-09-E-HSC ( N.A.)   |
|  |  |  |  |  |
| <b>1011-10</b>  |   | 1011-10 (40.0078)   | 1011-10-E-SC (30.0078)   | 1011-10-E-HSC (30.0915)   |

Tolerances of the product are defined according to "IO\_PRD1\_02 Parameters and Tolerances" Ed. 3 del 05-04-12.

Example: 1011-05-E.SC

## 2. Materials

### CLAMPING PROFILE

|                    |                 |
|--------------------|-----------------|
| MATERIAL:          | EPDM            |
| COLOR:             | Black           |
| HARDNESS:          | 65 +/-5 Shore A |
| METAL PART:        | Steel wire      |
| TEMPERATURE RANGE: | -40 + 130 °C    |

### HOLLOW SECTION

|                    |                 |
|--------------------|-----------------|
| MATERIAL:          | EPDM SPONGE     |
| COLOR:             | Black           |
| HARDNESS:          | 20 +/-5 Shore A |
| TEMPERATURE RANGE: | -40 + 130 °C    |

## 3. Fabric Type

|                      |                  |
|----------------------|------------------|
| <b>Fabric type</b>   | STATIC CLEAN     |
| <b>Code</b>          | SC               |
| <b>Base material</b> | Polyester fabric |
| <b>Test Report</b>   | RP6900           |
| <b>Coating</b>       | 100% Nickel      |

|                     | Magnetic field (dB) |    |    |    | Electric field (dB) |    |    |    |
|---------------------|---------------------|----|----|----|---------------------|----|----|----|
| <b>Freq. (MHz)</b>  | 3                   | 10 | 20 | 30 | 2                   | 10 | 20 | 30 |
| <b>dB (1 Layer)</b> | 15                  | 20 | 30 | 40 | 105                 | 65 | 62 | 65 |

|                     | Electric field and plane wave ( dB) |     |     |     |     | Plane Wave (dB) |      |       |       |       |
|---------------------|-------------------------------------|-----|-----|-----|-----|-----------------|------|-------|-------|-------|
| <b>Freq. (MHz)</b>  | 200                                 | 400 | 500 | 700 | 800 | 1000            | 5000 | 10000 | 15000 | 18000 |
| <b>dB (1 Layer)</b> | 55                                  | 65  | 60  | 60  | 70  | 60              | 63   | 53    | 53    | 55    |

## 4. Type of supply

Supplied in linear meters. Standard rolls length is 50 meters.

Particular supply can also be requested: thermally welded frames, ready for installation (minimum development for o-rings gaskets 700-800 mm, minimum size for frame gasket 170 mm)

Example: 1011-05-E.SC **1006X881MM VULCANIZZATA**  
 1011-05-E.SC **765,3X835 MM TERMOSALDATA**