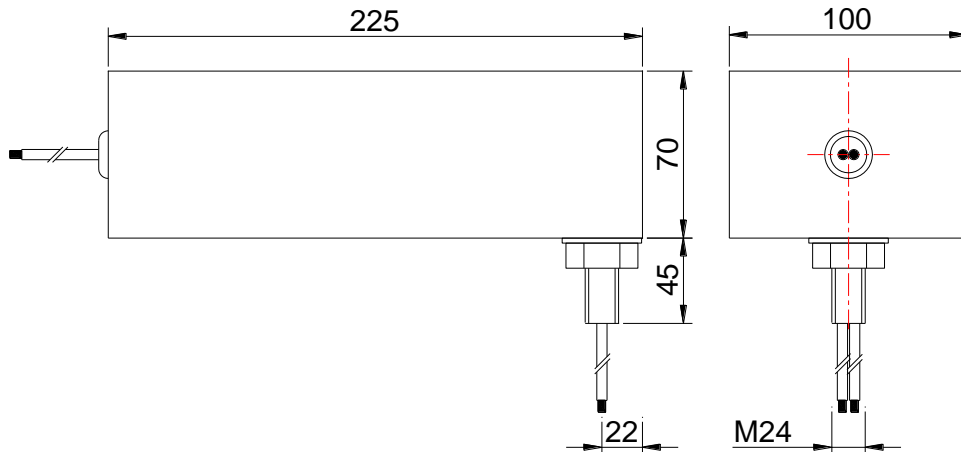


# Power Line EMI Filter

1. Type: PF203A-16

2. Dimensions: (mm)



3. Technical Data:

- ① Rated Voltage: 250VAC/500VDC    ② Operating Frequency: 0-60Hz
- ③ Rated Current: 16A
- ④ Shielding Effectiveness: 100dB, 100kHz-40GHz
- ⑤ Climatic Category: 25/085/21

4. Assembly Parts:
- ① M24 Conduit Screw: 1pc    ② Gasket 24: 1pc
  - ③ M24 Screw Nut: 1pc    ④ EMI Gasket 24: 1pc
  - ⑤ Certificate: 1pc

5. Installation Diagram:

