

Shielded Doors RFD-F/A-100 Swing Door

EUROSHIELD RFD-F/A-100 swing doors meet the performance of the standard 100-type doors and are especially designed for the additional load of ferrites and short absorbers (max. 50 kg / m²). Max. length of foam absorbers is 400 mm everywhere except around the handle area. The photo as well as the drawing in the back shows a door with short absorbers everywhere.

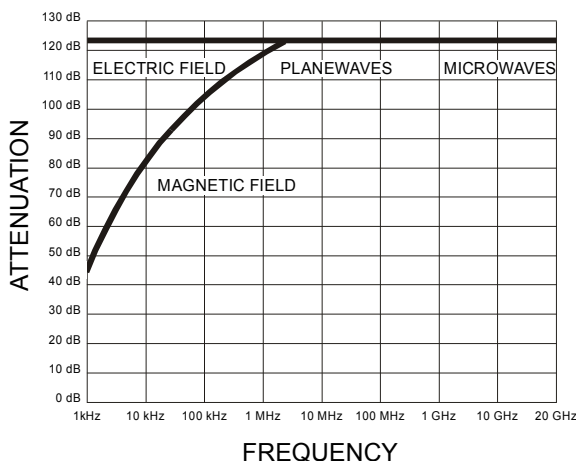
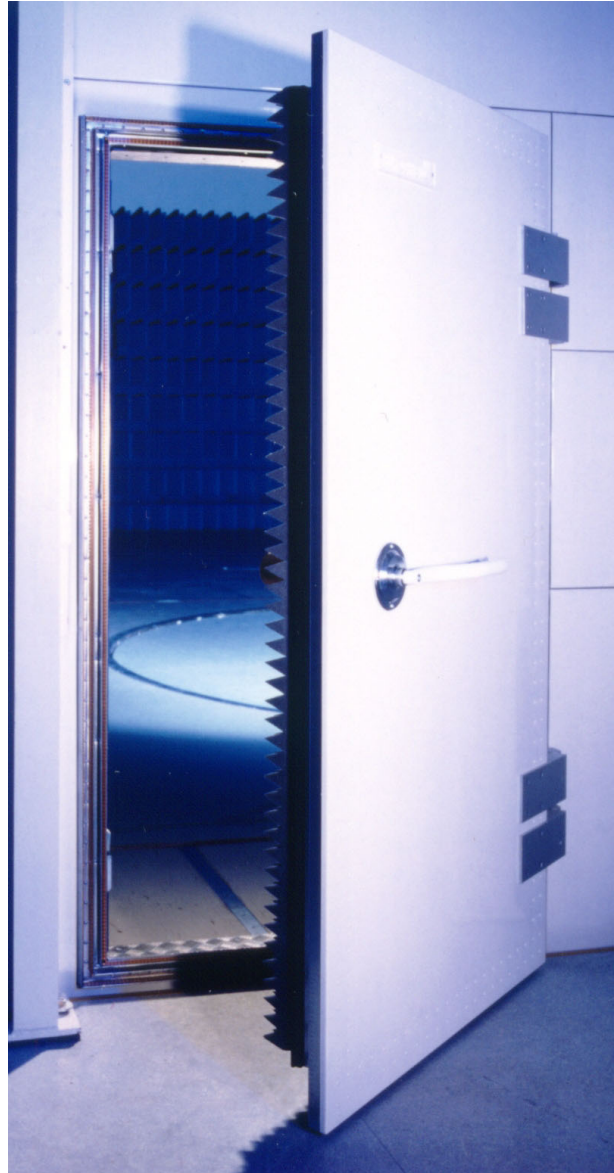
The openable rigidized inner plate allows the mounting of the ferrites / absorbers directly onto it and still gives the possibility for maintenance of the door in the case necessary. The ferrite tiles / absorbers are not included in the standard delivery.

The double hinges guarantee the proper functioning of the heavy load door.

The handle inside ferrite lined chambers has to be of non-reflective material: RFD-F/A-100 door handle inside is made of bakelite and has a special extension part for the pyramid absorbers. For quicker and lighter opening the handle can be installed so that it is at horizontal position when the door is closed.

For all the F-type of doors with the width exceeding 1.2 m Euroshield recommends to have the pneumatic opening / closing system installed to the door for lighter operation. In this case the door must be opened manually; the operation system just releases the RF-tight locking.

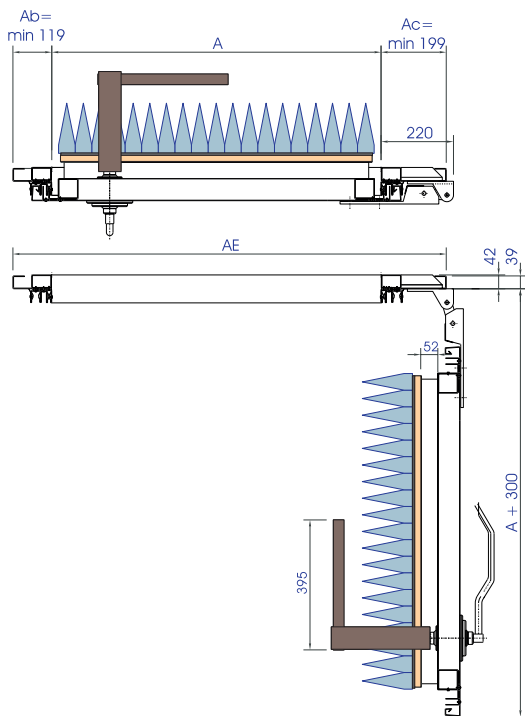
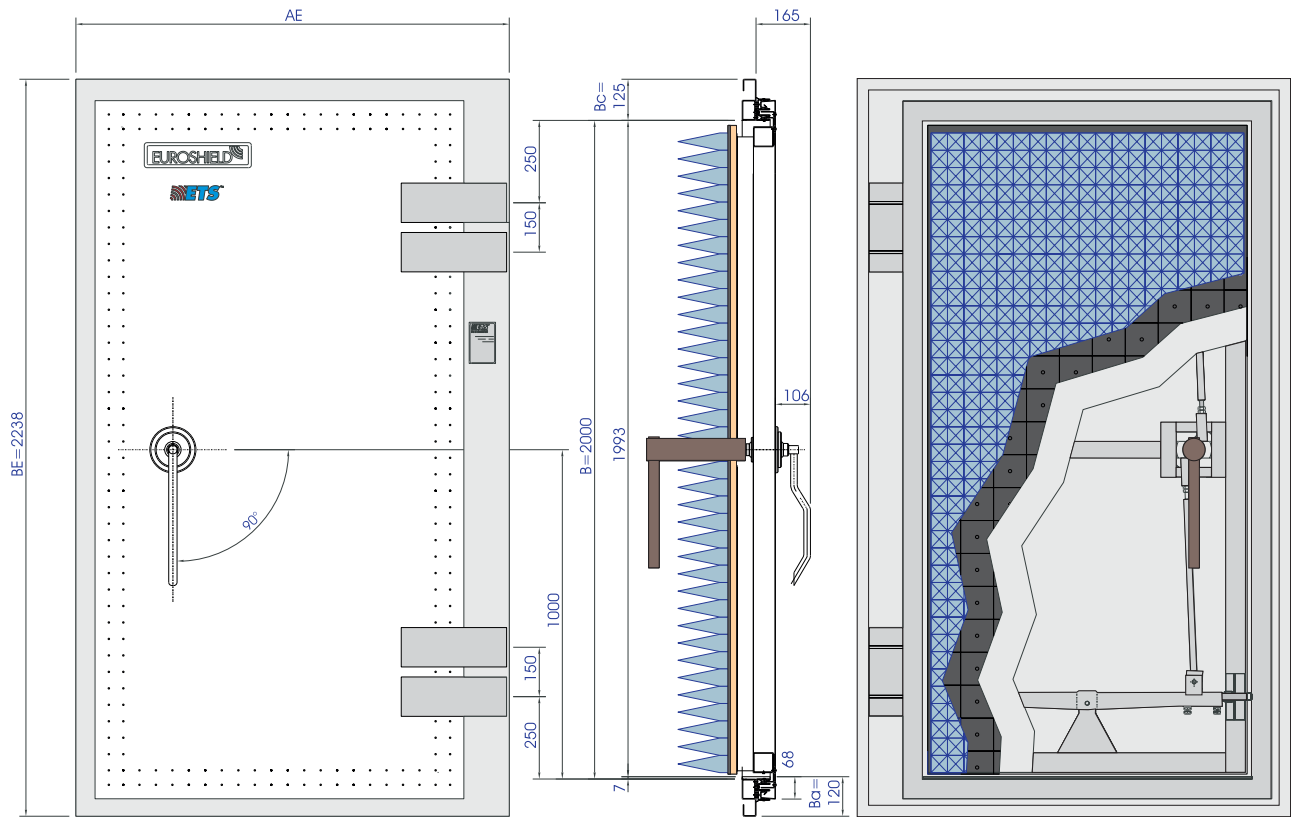
The door leaf of Euroshield RFD-F-100 swing doors is painted on outside (standard color white RAL 9010).



Shielding effectiveness measured acc. to MIL-STD-285

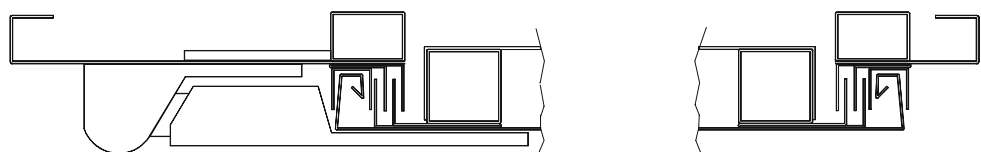
OPTIONS:

- Non-standard sizes on request (up to 3.0 x 3.0 m with special constructions)
- Pneumatic operation systems PNL-1 and PNL-3
- Locking systems: code lock, card lock etc. (requires PNL-3 operation system)
- Microswitch indicating the RF-tight open / closed status of the door
- Slope ramp system in front



Standard clear opening sizes in mm			
A	800	1000	1200
B	2000	2000	2000

The dimensions in the drawing apply to the standard sizes



ETS-Lindgren reserves the right to any change in this document without any further notice - 01/02

ETS-Lindgren Corporate Headquarters
1301 Arrow Point Drive
Cedar Park, TX 78613, USA
Tel. +1 512 531 6400
Fax. +1 512 531 6500
info@ets-lindgren.com

European Headquarters
Mekaanikontie 1
27510 Eura, Finland
Tel. +358 2 8383 300
Fax. +358 2 8651 233
info@euroshield.com

United Kingdom
Boulton Road, Pin Green Ind. Area,
Stevenage, Herts, SG1 4TH, UK
Tel. +44 1438 730 700
Fax. +44 1438 730 751
info@lindgren-rayproof.com

Asian Headquarters
87 Beach Road, #06-02 Chye Sing
Building, Singapore 189695
Tel. +65 536 7078
Fax. +65 536 7093
lrfesin@singnet.com.sg