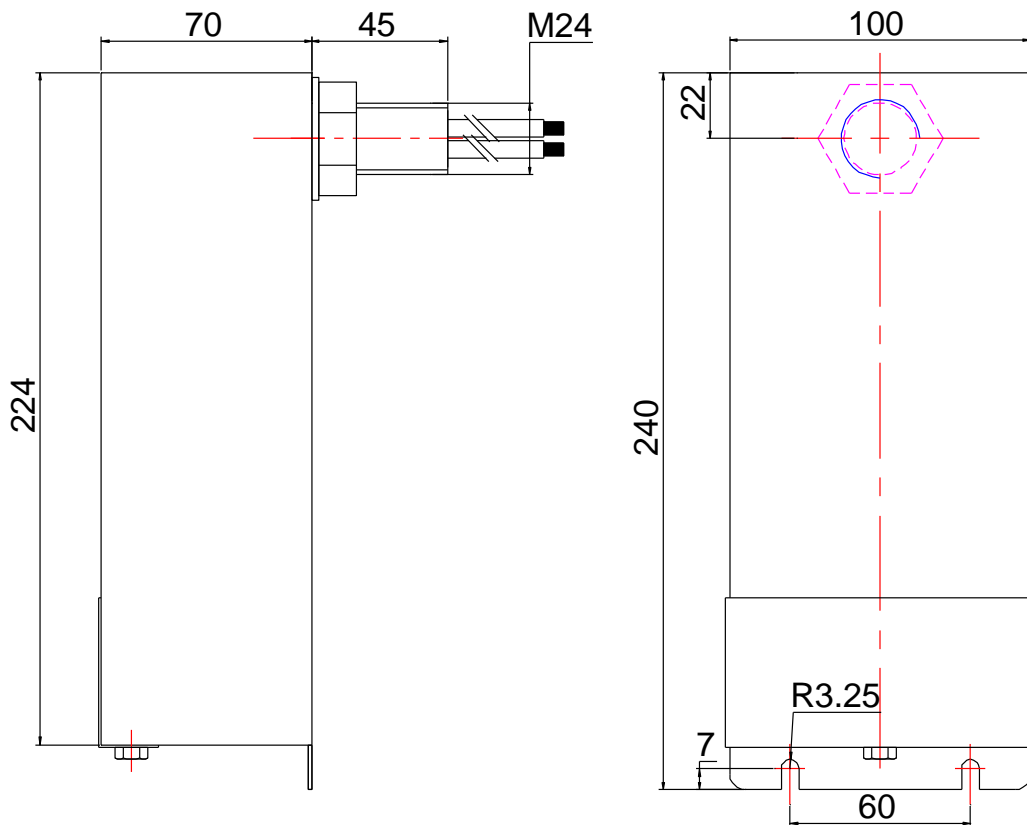


Power Line EMI Filter

1. Type: PF205A-30

2. Dimensions: (mm)



3. Technical Data:

- ① Rated Voltage: 250VAC
- ② Operating Frequency: 0-60Hz
- ③ Rated Current: 30A
- ④ Leakage current: 15.7mA (@250VAC,50Hz)
- ⑤ Shielding Effectiveness: ≥ 100 dB, 14kHz~40GHz
- ⑥ Insertion Loss: ≥ 100 dB, 10MHz~40GHz
- ⑦ Climatic Category: 25/070/21
- ⑧ Weight: 2Kg

WEMC TECHNOLOGY

4. Assembly Parts: ① M24 Conduit Screw: 1pc ② Gasket 24: 1pc
③ M24 Screw Nut: 1pc ④ EMI Gasket: 1pc
⑤ Certificate: 1pc

5. Installation Diagram:

