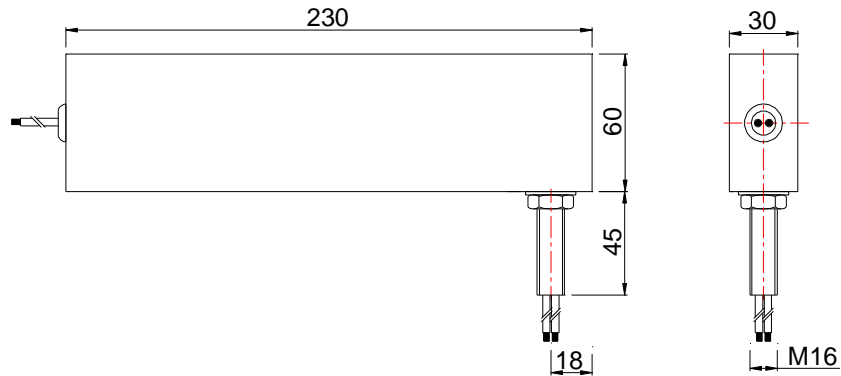


Signal Line EMI Filter

1. Type: SF-T2/A2

2. Dimensions: (mm)



3. Technical Data:

- ① Rated Voltage: 95VAC/125VDC
- ② Pass Band: 0-20kHz
- ③ Rated Current: 0.3A
- ④ Shielding Effectiveness: 100dB, 14kHz-40GHz
- ⑤ Climatic Category: 25/085/21

4. Accessory Parts:

- ① M16 Conduit Screw: 1pc
- ② Gasket 16: 1pc
- ③ M16 Screw Nut: 1pc
- ④ EMI Gasket 16: 1pc
- ⑤ Certificate: 1pc

5. Installation Sketch:

